

eW Accent Compact

Date: _____
Type: _____
Firm Name: _____
Project: _____

2700 K, 610 mm (24 in), Clear Lens

High-resolution exterior linear direct view luminaire with single temperature white light

eW Accent Compact is a direct view linear LED luminaire ideally suited for displaying large-scale video, graphics, and intricately designed effects in a host of architectural settings. eW Accent Compact accepts Ethernet input from the PDS-400 48V EO to support long control runs not subject to DMX data and addressing limitations. Two lens choices are available for eW Accent Compact: a clear lens which delivers the brightest output and a translucent lens which provides the widest viewing angle.



- Precise resolution control—Luminaires can be addressed and controlled in increments down to 19 mm (0.75 in), or up to 1220 mm (4 ft).
- Native, onboard Ethernet—Luminaires accept Ethernet input from PDS-400 48V EO to support long control runs not subject to DMX data and addressing limitations.
- Three luminaire lengths—305 mm (1 ft), 610 mm (2 ft), and 1220 mm (4 ft) lengths are easily connected to create long, continuous columns or rows of intense, solid white light. The 305 mm (1 ft) luminaires in particular allow for extra flexibility when space is at a premium.
- Rugged, durable construction—This IP66 rated luminaire is designed to meet the taxing requirements of outdoor applications. The aluminium housing resists shock, vibration, and other forms of rough handling.
- Flexible positioning—Over-molded end-to-end locking connectors supply both power and data. Connectors can make 180° turns for easy layout. Jumper cables can add extra space between luminaires.
- Industry-leading controls—Works seamlessly with the complete Color Kinetics line of controllers, including Video System Manager Pro, Light System Manager, and iPlayer 3, and any third-party controllers.
- Universal power input range—Accepts a universal power input range of 100 to 277 VAC for consistent installation anywhere in the world. Each 400 W, outdoor-rated PDS-400 48V EO can support multiple luminaires for creating long lines of video or ribbons of intricately changing white light.
- ActiveSite integration—ActiveSite is the first ever cloud-hosted connected lighting system for architectural LED lighting installations. ActiveSite allows you to remotely monitor, manage, and maintain an installation site from anywhere in the world, using a secure web connection.
- Digital Dimming—Smooth dimming down to 1% with optional Data Enabler Pro and digital control interface.

For detailed product information, please refer to the Accent Compact Family Product Guide at www.colorkinetics.com/global/products/essentialwhite/ew-accent-compact/

Specifications

Due to continuous improvements and innovations, specifications may change without notice.

Output

Color Temperature	2700 K
Viewing Angle	105°
Lumens All Channels Full On†	672
On-Axis Candela	250
On-Axis Candela per node	8
Efficacy (lm/W) All Channels Full On§§	35.6
CRI All Channels Full On	82
Color	White

Electrical

Input Voltage	48 VDC via PDS-400 48V EO or CM-400 48V EO
Power Consumption	16 W
(Maximum at full output, steady state)	

For Surge Protection Requirements for LED Lighting Systems, please refer to www.colorkinetics.com/KB/surge-protection.

Control

Interface	PDS-400 48V EO (Ethernet) CM-400 48V EO (Ethernet)
-----------	-------------------------------------------------------

Control System

Color Kinetics full range of controllers, including Light System Manager, Video System Manager Pro, iPlayer 3, Antumbra iColor Keypad, and ColorDial Pro, or third-party controllers

Lumen Maintenance

Threshold§	Ambient Temperature	Reported¶	Calculated¶
L ₇₀	25 °C	60,000	
	50 °C	60,000	
L ₅₀	25 °C	60,000	
	50 °C	60,000	

† 305 mm (1 ft) lumen output measurements comply with IES LM-79-08 testing procedures. 610 mm (2 ft), and 1220 mm (4 ft) measurements are estimated based on the 305 mm (1 ft) measurements.

§ L_{xx} = xx% lumen maintenance (when light output drops below xx% of initial output). All values are given at B10, or the median value where 90% of the LED population is better than the reported or calculated lumen maintenance measurement.

¶ Lumen maintenance figures are based on lifetime prediction graphs supplied by LED source manufacturers. Whenever possible, figures use measurements that comply with IES LM-80-08 testing procedures. In accordance with TM-21-11, Reported values represent the interpolated value based on six times the LM-80-08 total test duration (in hours). Calculated values represent time durations that exceed six times the total test duration.

§§ Efficacy measurements are estimated based on the 305 mm (1 ft) measurements.

Physical

Dimensions (Height x Width x Depth)	68.6 x 609 x 35.3 mm (2.7 x 23.9 x 1.3 in)
Weight	0.91 kg (2 lb)
Housing Material	Extruded aluminium and polycarbonate
Lens	Clear UV-protected polycarbonate
Luminaire Connections	Over-molded, integral male/female connectors

Temperature Ranges

-40 to 50 °C (-40 to 122 °F) Operating
-20 to 50 °C (-4 to 122 °F) Startup
-40 to 80 °C (-40 to 176 °F) Storage

Vibration Resistance

Complies with ANSI C136.31, 3G

Mechanical Impact IK10

Corrosion Resistance

Complies with ASTM B117 standard for > 1,500 hours

Humidity 0 to 95%, non-condensing

Maximum Luminaires Per Power/Data Supply

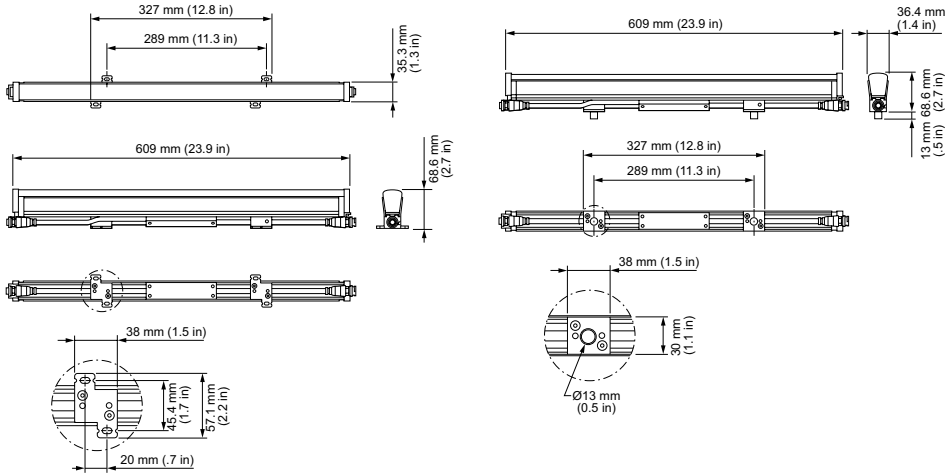
20 maximum per PDS-400 48V EO using a 15 m (50 ft) leader cable

Certification and Safety

Approbation	UL/cUL, FCC Class A, CE, CQC, RCM
Environment	Dry/Damp/Wet Location, IP66



Dimensions

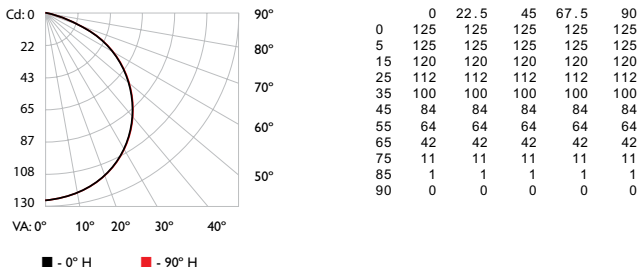


Photometrics, Clear Lens, 305 mm (12 in)

Photometric data is based on test results from an independent NIST traceable testing lab. IES data is available at www.colorkinetics.com/support/ies.

Viewing Angle	105°
LED	2700 K
Lumens All Channels Full On	336
Efficacy (lm/W) All Channels Full On	35.6

Polar Candela Distribution

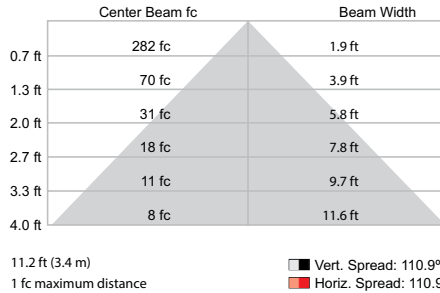


Zonal Lumen

Zone	Lumens	% Luminaire
0-30	97.3	28.9%
0-40	159.9	47.5%
0-60	281.7	83.7%
0-90	336.3	99.9%
60-90	54.6	16.2%
70-100	14.6	4.3%
90-120	0.2	0.1%
90-180	0.2	0.1%
0-180	336.6	100.0%

For lux multiply fc by 10.7

Illuminance at Distance



Coefficients of Utilization - Zonal Cavity Method

RCC %:	Effective Floor Cavity Reflectance: 20%																							
	80				70				50				30				10				0			
RW %:	70	50	30	0	70	50	30	0	50	30	20	0	50	30	20	0	50	30	20	0	50	30	20	0
0	1.19	1.19	1.19	1.19	1.16	1.16	1.16	1.00	1.11	1.11	1.11	1.06	1.06	1.06	1.06	1.02	1.02	1.02	1.02	1.00	1.00	1.00	1.00	1.00
1	1.10	1.05	1.02	0.98	1.07	1.03	1.00	0.87	0.99	0.96	0.93	0.95	0.93	0.91	0.91	0.92	0.90	0.88	0.88	0.86	0.86	0.86	0.86	0.86
2	1.00	0.93	0.86	0.81	0.98	0.91	0.85	0.74	0.87	0.82	0.78	0.84	0.80	0.76	0.76	0.81	0.78	0.75	0.75	0.73	0.73	0.73	0.73	0.73
3	0.92	0.82	0.74	0.68	0.89	0.80	0.73	0.63	0.77	0.71	0.66	0.74	0.69	0.65	0.65	0.72	0.67	0.64	0.64	0.62	0.62	0.62	0.62	0.62
4	0.84	0.72	0.64	0.58	0.82	0.71	0.63	0.54	0.69	0.62	0.56	0.66	0.60	0.56	0.56	0.64	0.59	0.55	0.55	0.53	0.53	0.53	0.53	0.53
5	0.77	0.65	0.56	0.50	0.75	0.64	0.55	0.47	0.62	0.54	0.49	0.60	0.53	0.48	0.48	0.58	0.52	0.48	0.48	0.46	0.46	0.46	0.46	0.46
6	0.71	0.58	0.50	0.43	0.69	0.57	0.49	0.42	0.56	0.48	0.43	0.54	0.47	0.42	0.42	0.52	0.47	0.42	0.42	0.40	0.40	0.40	0.40	0.40
7	0.66	0.53	0.44	0.38	0.64	0.52	0.44	0.37	0.51	0.43	0.38	0.49	0.42	0.38	0.38	0.48	0.42	0.37	0.37	0.35	0.35	0.35	0.35	0.35
8	0.62	0.48	0.40	0.34	0.60	0.48	0.40	0.33	0.46	0.39	0.34	0.45	0.38	0.34	0.34	0.44	0.38	0.33	0.33	0.31	0.31	0.31	0.31	0.31
9	0.58	0.44	0.36	0.31	0.56	0.44	0.36	0.30	0.43	0.35	0.30	0.41	0.35	0.30	0.30	0.40	0.34	0.30	0.30	0.28	0.28	0.28	0.28	0.28
10	0.54	0.41	0.33	0.28	0.53	0.40	0.33	0.27	0.39	0.32	0.28	0.38	0.32	0.27	0.27	0.37	0.32	0.27	0.27	0.26	0.26	0.26	0.26	0.26

Luminaire and Accessories

Use Item Number when ordering in North America

Luminaire	Item Number	Item 12NC
eW Accent Compact 2700 K, 610 mm (24 in), Clear Lens	500-000200-04	912400133781
Accessories		
Horizontal Louver, 610 mm (2 ft)	120-000200-01	912400133793
Vertical Louver, 610 mm (2 ft)	120-000200-04	912400133796
Rear Mounting Studs, 2 pieces	120-000200-06	912400133798
Leader Cable, 15 m (50 ft)	108-000200-00	912400133789
Leader Cable, 30 m (100 ft)	108-000200-01	912400133790
Jumper Cable, 305 mm (1 ft)	108-000200-03	912400134184
Jumper Cable, 1.5 m (5 ft)	108-000200-02	912400133791
Power Supplies		
PDS-400 48V, EO Power/Data Supply, Ethernet, UL	109-000200-00	912400133799
PDS-400 48V, EO Power/Data Supply, Ethernet, CE	109-000200-01	912400134110
CM-400 48V EO, Control Module, Ethernet	109-000210-01	912400133802
PS-600 48V, Power Supply, IP66	109-000220-00	912400133803
PS-480 48V, Power Supply, IP20, Dinrail	109-000220-01	912400133804

