

# Accent MX Powercore gen3, RGB

Date: \_\_\_\_\_

Type: \_\_\_\_\_

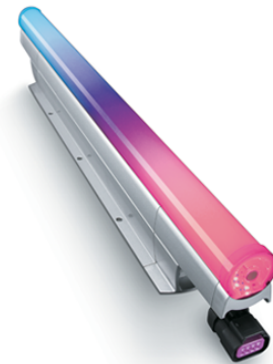
Firm Name: \_\_\_\_\_

Project: \_\_\_\_\_

1214 mm (4 ft)

## Exterior precision-control linear direct view luminaire with intelligent RGB light

Accent MX Powercore gen3 is a direct view linear LED luminaire ideally suited for creating long ribbons of color and color-changing effects. Variable resolution offers the precision to display large-scale video and graphics in a host of architectural, retail, and entertainment settings. Accent MX Powercore gen3 offers the efficiency and cost-effectiveness of Powercore technology in an outdoor-rated, road-ready aluminium housing.



- Integrates patented Powercore technology—Powercore technology rapidly, efficiently, and accurately controls power output to luminaires directly from line voltage. The Color Kinetics Data Enabler Pro merges line voltage and control data and delivers them to the luminaire over a single standard cable, dramatically simplifying installation and lowering total system cost.
- DMX or Ethernet Control—Luminaires accept both DMX and Ethernet. Ethernet input from the Data Enabler Pro supports long control runs not subject to DMX data and addressing limitations.
- Precise resolution control—608 mm (2 ft) and 1214 mm (4 ft) lengths are easily connected to create long, continuous columns of intense, dynamic color. Luminaires can be addressed and controlled in increments down to 30 mm (1.2 in), or up to 1214 mm (4 ft).
- Exceptional viewing angles—The diffused plastic lens, specifically designed for direct viewing, provides exceptional viewing angles and ensures uniform color mixing.
- Rugged, durable construction—This IP66-rated luminaire is designed to meet the taxing requirements of outdoor and entertainment applications. The extruded aluminium housing resists shock, vibration, and other forms of rough handling.
- Flexible positioning—Over-molded, end-to-end locking connectors supply both power and data. Connectors can make 180° turns for easy layout. Jumper cables of 305 mm (1 ft), 610 mm (2 ft), 1.5 m (5 ft), and 3 m (10 ft) can add extra space between luminaires.
- Industry-leading controls—Works seamlessly with the complete Color Kinetics line of controllers, including Light System Manager and iPlayer 3, as well as third-party controllers.
- Universal power input range—Accepts a universal power input range of 100 to 240 VAC for consistent installation anywhere in the world. Each Data Enabler Pro can support multiple luminaires for creating long lines of video or ribbons of intricately changing color.

For detailed product information, please refer to the Accent Product Guide at [www.colorkinetics.com/global/products/rgb/accent-mx-gen3/](http://www.colorkinetics.com/global/products/rgb/accent-mx-gen3/)

# Specifications

Due to continuous improvements and innovations, specifications may change without notice.

## Output

Viewing	120° x 225°
Lumens †	698
On-Axis Candela	55.1
Efficacy (lm/W) §§	19.3
LED Channels	Red/Green/Blue

## Electrical

Input Voltage	100 to 240 VAC, auto-ranging, 50/60 Hz via Data Enabler Pro
Power Consumption (Maximum at full output, steady state)	31.8 W
Surge Limits ¶	1 kV maximum differential (L to N) 2 kV maximum common (L to Gnd or N to Gnd)

For additional Surge Protection Requirements for LED Lighting Systems, please refer to [www.colorkinetics.com/KB/surge-protection](http://www.colorkinetics.com/KB/surge-protection).

## Control

Interface	Data Enabler Pro (DMX or Ethernet)
-----------	------------------------------------

### Control System

Color Kinetics full range of controllers, including Light System Manager, iPlayer 3, Antumbra iColor Keypad, and ColorDial Pro, or third-party controllers

Remote Monitoring & Management Works with Interact Landmark

## Lumen Maintenance

Threshold§	Ambient Temperature		Reported ¶¶	Calculated ¶¶
	25 °C	50 °C		
L <sub>90</sub>	25 °C		> 100,000	
	50 °C		17,000	
L <sub>80</sub>	25 °C		> 100,000	
	50 °C		45,000	
L <sub>70</sub>	25 °C		> 100,000	
	50 °C		70,000	
L <sub>50</sub>	25 °C		> 100,000	
	50 °C		> 100,000	

† Lumen output measurements comply with IES LM-79-08 testing procedures.

§ L<sub>xx</sub> = xx% lumen maintenance (when light output drops below xx% of initial output). All values are given at B10, or the median value where 90% of the LED population is better than the reported or calculated lumen maintenance measurement.

¶ Minimum surge limits per IEC 61547, tested in accordance with IEC 61000-4-5.

§§ Efficacy measurements are estimated based on the 608 mm (2 ft) measurements.

¶¶ Lumen maintenance figures are based on lifetime prediction graphs supplied by LED source manufacturers. Whenever possible, figures use measurements that comply with IES LM-80-08 testing procedures. In accordance with TM-21-11, Reported values represent the interpolated value based on six times the LM-80-08 total test duration (in hours). Calculated values represent time durations that exceed six times the total test duration.

## Physical

Dimensions (Height x Width x Depth)	100 x 1214 x 63 mm (3.9 x 47.8 x 2.5 in)
Weight	4.2 kg (9.3 lb)
Housing Material	Sealed plastic and extruded aluminium
Lens	Translucent UV-protected polycarbonate
Luminaire Connections	Over-molded, integral male/female connectors

### Temperature Ranges

-40 to 50 °C (-40 to 122 °F) Operating  
-20 to 50 °C (-4 to 122 °F) Startup  
-40 to 80 °C (-40 to 176 °F) Storage

### Vibration Resistance

Complies with ANSI C136.31, 3G	
Mechanical Impact	IK10

### Corrosion Resistance

Not suitable for salt spray or harsh chemical environments. Please refer to [www.colorkinetics.com/KB/corrosion-resistance](http://www.colorkinetics.com/KB/corrosion-resistance) for more information.

Humidity	0 to 95%, non-condensing
----------	--------------------------

### Luminaire Run Lengths

To calculate luminaire run lengths and total power consumption for your specific installation, download the Configuration Calculator from [www.colorkinetics.com/global/support/install\\_tool/](http://www.colorkinetics.com/global/support/install_tool/)

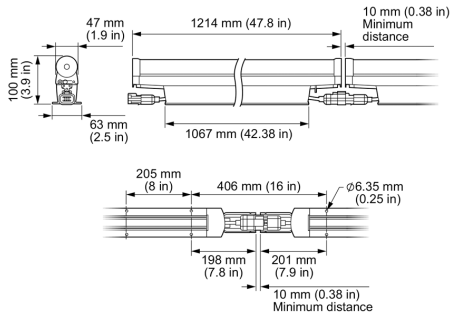
## Certification and Safety

Approbation	UL/cUL, CE
Environment	IP66

For additional Energy Efficiency Class Information, please refer to <https://colorkinetics.helpdocs.io/article/cviis2p8qq>.



# Dimensions



# Photometrics, 1214 mm (4 ft)

Photometric data is based on full hemisphere testing to IES standards. IES data is available at [www.colorkinetics.com/global/support/ies](http://www.colorkinetics.com/global/support/ies).

Viewing	120° x 225°
LED	RGB
Lumens	700.0
Efficacy (lm/W)	22.1

## Illuminance at Distance

	Center Beam fc	Beam Width
4.0 ft	3.42 fc	21.9 ft
8.0 ft	0.86 fc	43.9 ft
12.0 ft	0.38 fc	65.8 ft
16.0 ft	0.21 fc	87.7 ft
20.0 ft	0.14 fc	109.6 ft
24.0 ft	0.1 fc	131.6 ft

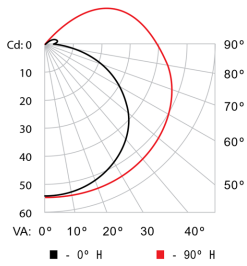
## Zonal Lumen

Zone	Lumens	% Luminaire
0-30	44.8	12.80%
0-40	76.4	21.80%
0-60	152.8	43.70%
0-90	105.5	30.20%
70-100	93.3	26.70%
90-120	66.1	18.90%
0-90	258.3	73.80%
90-180	91.6	26.20%
0-180	349.9	100%

2.1 m (7 ft)  
1 fc maximum distance  
■ Beam Spread: 140°

For lux multiply fc by 10.7

## Polar Candela Distribution



	0	25	45	70	90
0	55	55	55	55	55
5	54	54	55	55	55
15	53	53	54	54	55
25	51	51	53	54	54
35	46	48	51	53	54
45	41	45	49	52	53
55	34	40	45	50	51
65	25	33	41	47	49
75	16	25	35	44	46
85	8	19	31	40	42
90	3	17	29	38	40

## Coefficients of Utilization - Zonal Cavity Method

RCC %:	Effective Floor Cavity Reflectance: 20%															
	80	70			50			30			10			0		
RW %:	70	50	30	0	70	50	30	0	50	30	20	50	30	20	0	
RCR:	0	1.13	1.13	1.13	1.07	1.07	1.07	0.97	0.97	0.97	0.87	0.87	0.87	0.78	0.78	0.74
1	0.99	0.93	0.87	0.82	0.93	0.88	0.83	0.54	0.78	0.74	0.71	0.70	0.67	0.64	0.62	0.60
2	0.88	0.79	0.70	0.64	0.83	0.74	0.67	0.43	0.66	0.60	0.55	0.59	0.54	0.50	0.52	0.49
3	0.80	0.68	0.58	0.51	0.75	0.64	0.56	0.35	0.57	0.50	0.45	0.51	0.45	0.41	0.45	0.41
4	0.72	0.59	0.50	0.42	0.68	0.56	0.47	0.29	0.50	0.43	0.37	0.45	0.39	0.34	0.40	0.35
5	0.66	0.52	0.43	0.36	0.62	0.50	0.41	0.25	0.44	0.37	0.31	0.40	0.33	0.29	0.35	0.30
6	0.61	0.47	0.37	0.30	0.57	0.44	0.36	0.21	0.40	0.32	0.27	0.36	0.29	0.25	0.32	0.26
7	0.56	0.42	0.33	0.26	0.53	0.40	0.31	0.19	0.36	0.29	0.23	0.32	0.26	0.21	0.29	0.24
8	0.52	0.38	0.29	0.23	0.49	0.36	0.28	0.16	0.33	0.26	0.21	0.29	0.23	0.19	0.26	0.21
9	0.48	0.35	0.26	0.21	0.46	0.33	0.25	0.15	0.30	0.23	0.18	0.27	0.21	0.17	0.24	0.19
10	0.45	0.32	0.24	0.18	0.43	0.30	0.23	0.13	0.28	0.21	0.16	0.25	0.19	0.15	0.22	0.17

# Luminaire and Accessories

Use Item Number when ordering in North America

<b>Luminaire</b>	<b>Item Number</b>	<b>Item 12NC</b>
Accent MX Powercore gen3, RGB, 1214 mm (4 ft)	123-000181-01	912400137328
<b>Accessories</b>		
Leader cable with terminator and strain relief, 15.2 m (50 ft)	108-000028-01	910503700086
Jumper Cable, 305 mm (1 ft)	108-000029-03	910503700087
Jumper Cable, 610 mm (2 ft)	108-000029-06	910503700090
Jumper Cable, 1.5 m (5 ft)	108-000029-05	910503700089
Jumper Cable, 3 m (10 ft)	108-000029-04	910503700088
<b>Power Supplies</b>		
Data Enabler Pro, 3/4 in / 1/2 in NPT (U.S. trade size conduit)	106-000004-00	910503701210
Data Enabler Pro, PG21/PG13 (metric size conduit)	106-000004-01	910503701211

