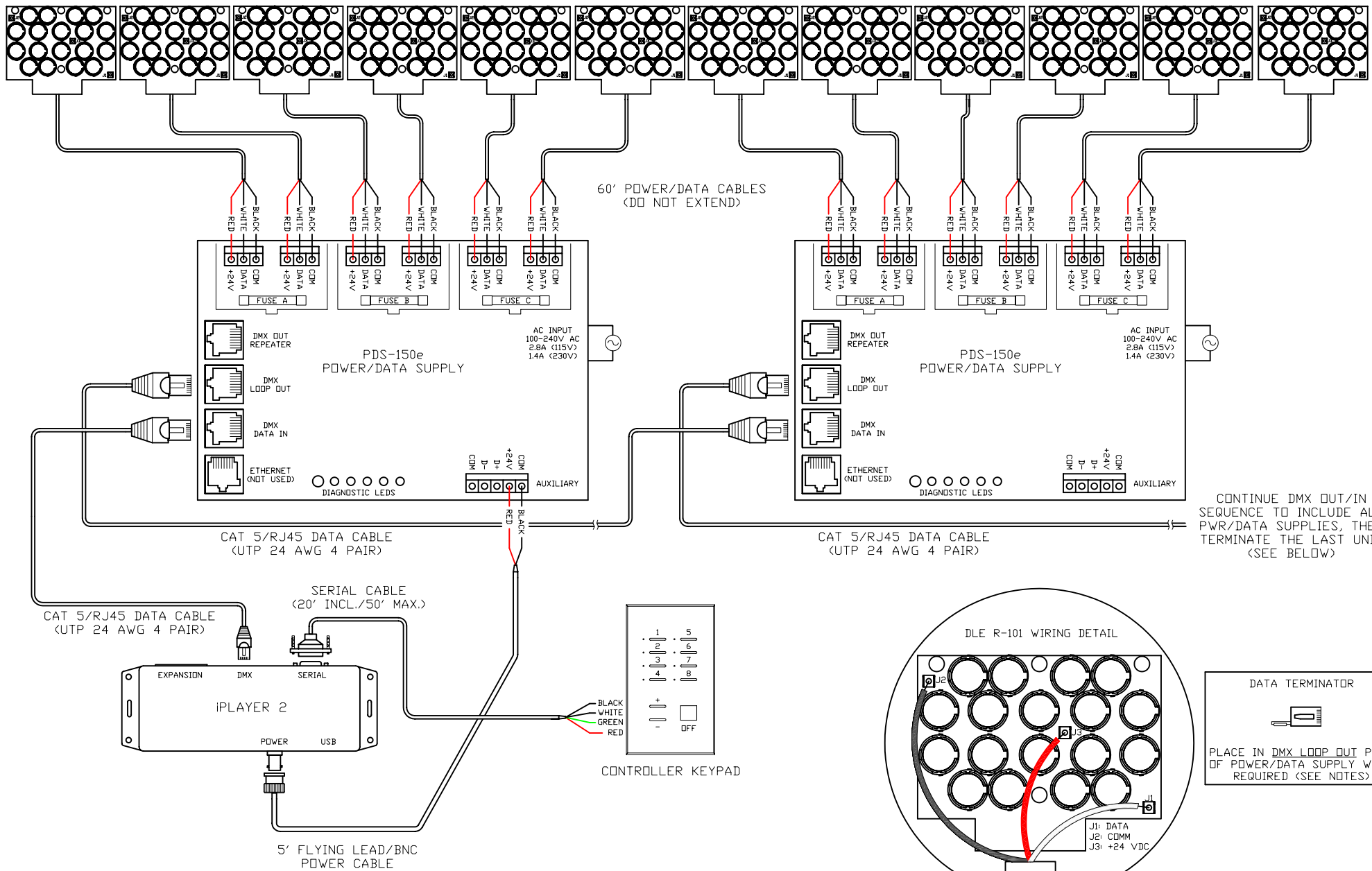
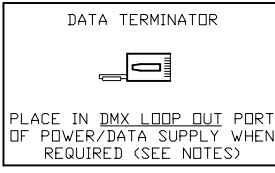
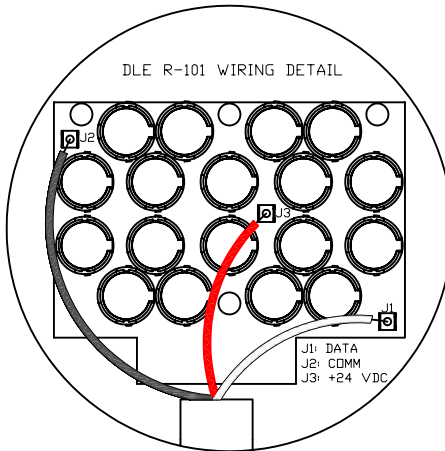


DLE R-101
(MAX. 6 PER PDS-150e)



CONTINUE DMX OUT/IN SEQUENCE TO INCLUDE ALL PWR/DATA SUPPLIES, THEN TERMINATE THE LAST UNIT (SEE BELOW)



NOTE:
- USE DMX OUT REPEATER (INSTEAD OF LOOP OUT) ON EVERY 32nd PDS UNIT IN A CHAIN, OR WHEN A DATA CABLE RUN BETWEEN UNITS EXCEEDS 400'. WHEN USING THE DMX OUT REPEATER, PLACE A DATA TERMINATOR IN THE DMX LOOP OUT PORT OF THAT PDS UNIT (SEE ABOVE).

<p>CAT-5/RJ45 PIN-OUT</p> <p>(VIEW FACING PINS)</p>	<p>COLOR KINETICS INCORPORATED 10 MILK STREET, SUITE 1100 BOSTON, MA 02108 888 FULL RGB 617 423 9999 WWW.COLORKINETICS.COM</p> <p>*FULL SPECTRUM DIGITAL LIGHTING*</p>	<p>TITLE: SYSTEM WIRING DIAGRAM (TYP)</p> <p>PRODUCTS: DLE R-101/PDS-150e/IPLAYER 2/ CONTROLLER KEYPAD</p>	<p>DATE:</p> <p>DWG. BY: TC</p> <p>SCALE: NTS</p> <p>REV:</p> <p>PAGE: 1 OF 1</p>
---	--	--	---