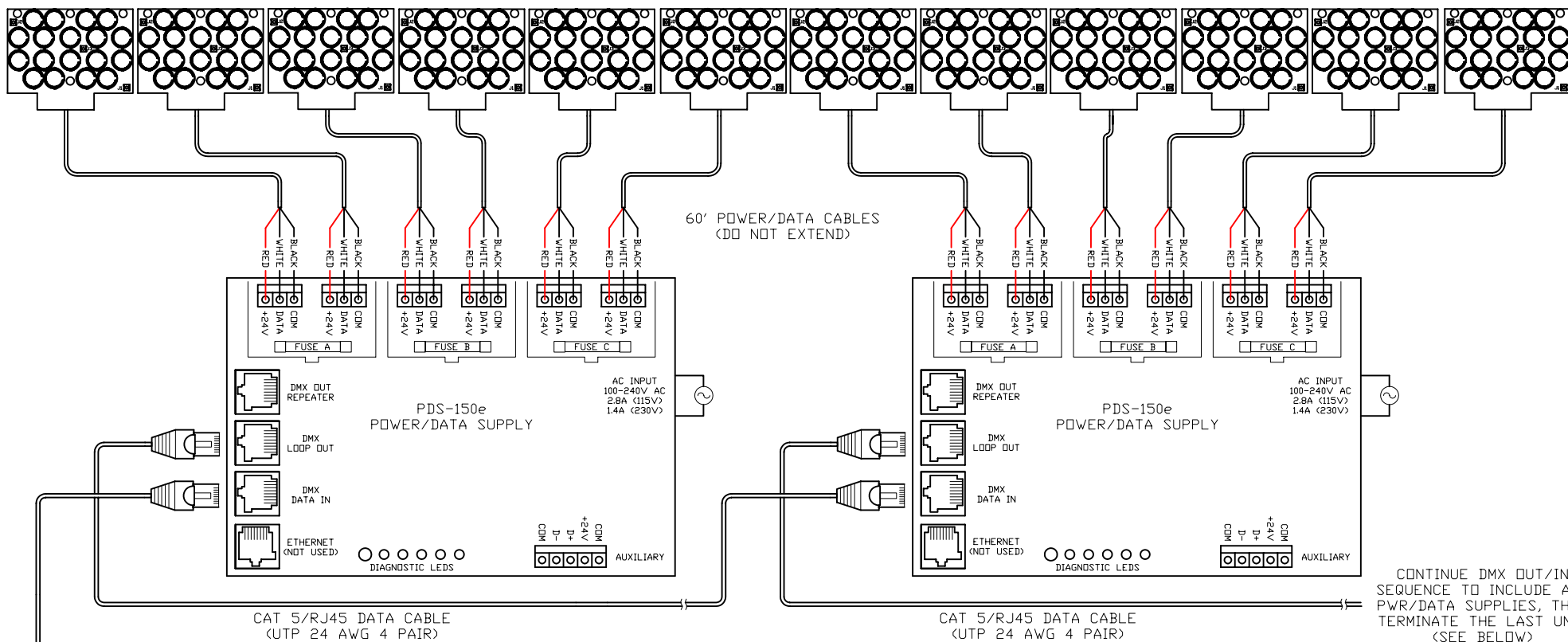


DLE R-101
(MAX. 6 PER PDS-150e)



60' POWER/DATA CABLES
(DO NOT EXTEND)

CAT 5/RJ45 DATA CABLE
(UTP 24 AWG 4 PAIR)

CAT 5/RJ45 DATA CABLE
(UTP 24 AWG 4 PAIR)

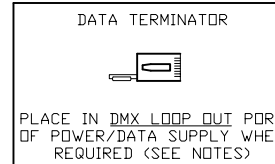
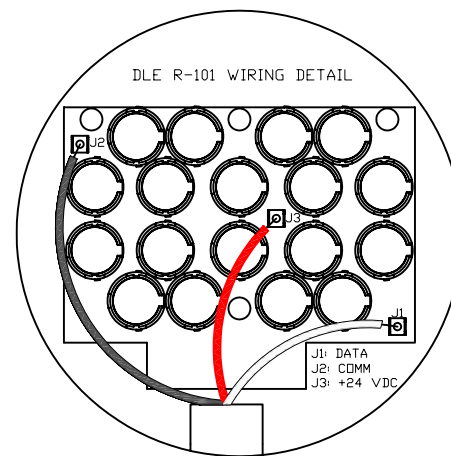
CONTINUE DMX OUT/IN
SEQUENCE TO INCLUDE ALL
PWR/DATA SUPPLIES, THEN
TERMINATE THE LAST UNIT
(SEE BELOW)

CAT 5/RJ45 DATA CABLE
(UTP 24 AWG 4 PAIR)

INLINE DATA
COUPLER

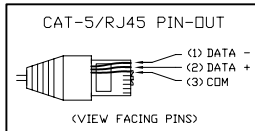
DMX ADAPTER CABLE
(XLR-5 (MALE) TO RJ45)

DATA IN FROM DMX
CONTROLLER/
PLAYBACK SOURCE



NOTE:

- USE DMX OUT REPEATER (INSTEAD OF LOOP OUT)
ON EVERY 32nd PDS UNIT IN A CHAIN, OR WHEN A
DATA CABLE RUN BETWEEN UNITS EXCEEDS 400'.
WHEN USING THE DMX OUT REPEATER, PLACE A
DATA TERMINATOR IN THE DMX LOOP OUT PORT OF
THAT PDS UNIT (SEE ABOVE).



COLOR KINETICS INCORPORATED
10 MILK STREET, SUITE 1100
BOSTON, MA 02108
888 FULL RGB
617 423 9999
WWW.COLORKINETICS.COM
"FULL SPECTRUM DIGITAL LIGHTING"

TITLE:	SYSTEM WIRING DIAGRAM (TYP)
PRODUCTS:	DLE R-101/PDS-150e/DMX CONTROLLER

DATE:	
DWG. BY:	TC
SCALE:	NTS
REV:	
PAGE:	1 OF 1