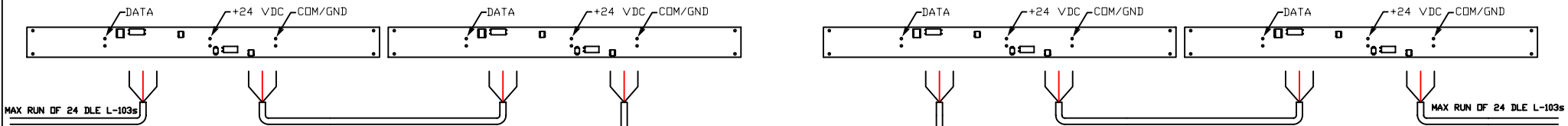


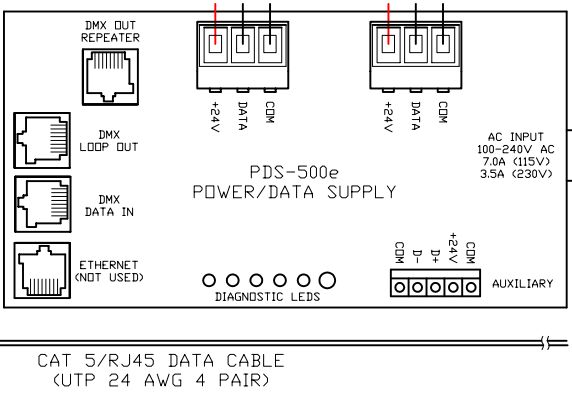
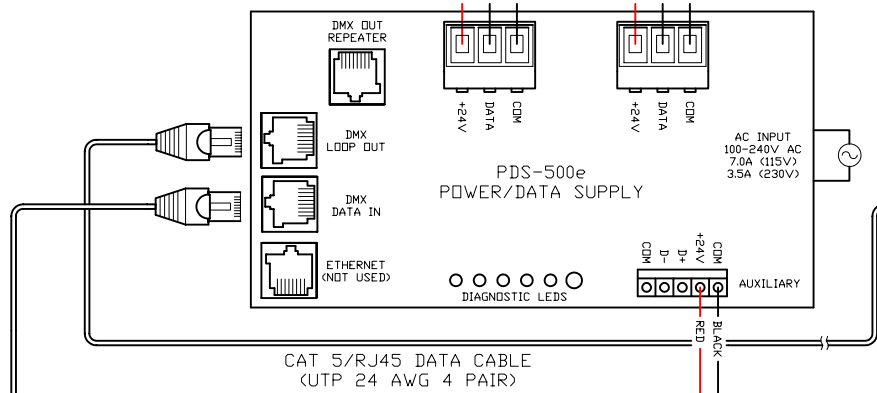
# DLE L-103



**NOTE:**  
 - USE DMX OUT REPEATER (INSTEAD OF LOOP OUT) ON EVERY 32nd PDS UNIT IN A CHAIN, OR WHEN A DATA CABLE RUN BETWEEN UNITS EXCEEDS 400'. WHEN USING THE DMX OUT REPEATER, PLACE A DATA TERMINATOR IN THE DMX LOOP OUT PORT OF THAT PDS UNIT (SEE ABOVE).

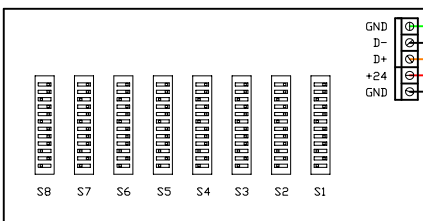
50 FT. LEADER CABLE - DO NOT EXTEND

OUT TO NEXT RUN(S) OF DLE L-103s

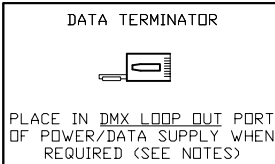
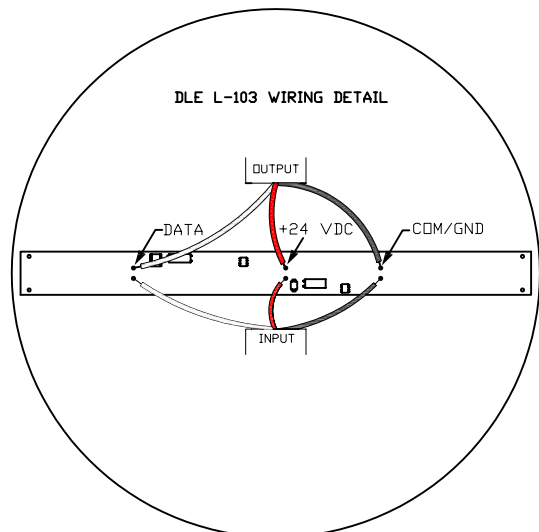


CONTINUE DMX OUT/IN SEQUENCE TO INCLUDE ALL PWR/DATA SUPPLIES, THEN TERMINATE THE LAST UNIT (SEE BELOW)

6' FLYING LEAD/RJ45 DATA CABLE (OR SEE PIN-OUT BELOW IF MAKING CABLES)

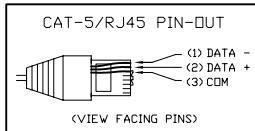


14-18 AWG LEADS (2) (SUPPLIED BY EC - 50' MAX)



PLACE IN DMX LOOP OUT PORT OF POWER/DATA SUPPLY WHEN REQUIRED (SEE NOTES)

- NOTES:**
- EACH PDS-500e WILL SUPPORT 2 RUNS OF DLE L-103 USING THE 50 FT. LEADER CABLES (SOLD SEPARATELY).
  - EACH 50 FT. LEADER CABLE SUPPORTS A MAX. OF 24 DLE L-103s, FOR A TOTAL MAX. OF 48 DLEs PER PDS-500e.
  - USE A TERMINATOR AT THE END OF EACH DLE RUN.
  - TOTAL MAX. LENGTH OF EACH RUN (INCLUDING DLEs) = 74 FT.
  - IF USING 1' JUMPER CABLES (SOLD SEPARATELY) YOU MUST SUBTRACT AND CUT TOTAL NUMBER USED FROM LEADER CABLE, TO STAY WITHIN THE 74' MAX. RUN LENGTH.



COLOR KINETICS INCORPORATED  
 10 MILK STREET, SUITE 1100  
 BOSTON, MA 02108  
 888 FULL RGB  
 617 423 9999  
 WWW.COLORKINETICS.COM

“FULL SPECTRUM DIGITAL LIGHTING”

TITLE:  
 SYSTEM WIRING DIAGRAM (TYP)

PRODUCTS:  
 DLE L-103/PDS-500e/  
 MULTISYNCHRONIZER

DATE:  
 DWG. BY: TC  
 SCALE: NTS  
 REV:  
 PAGE: 1 OF 1