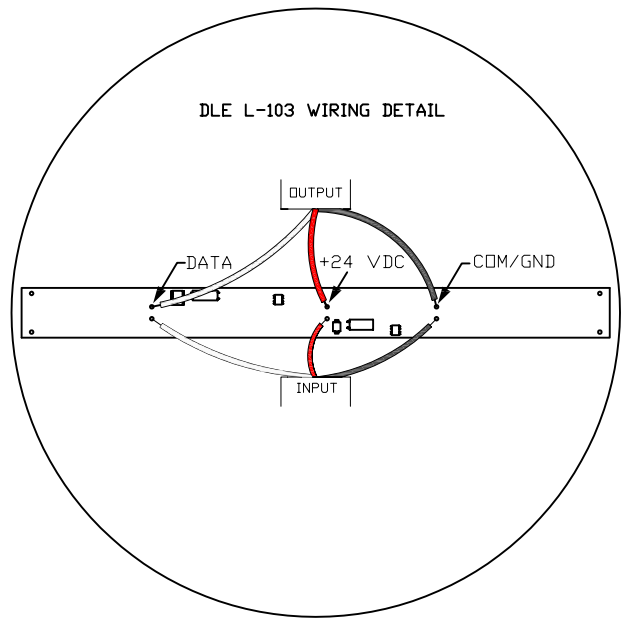
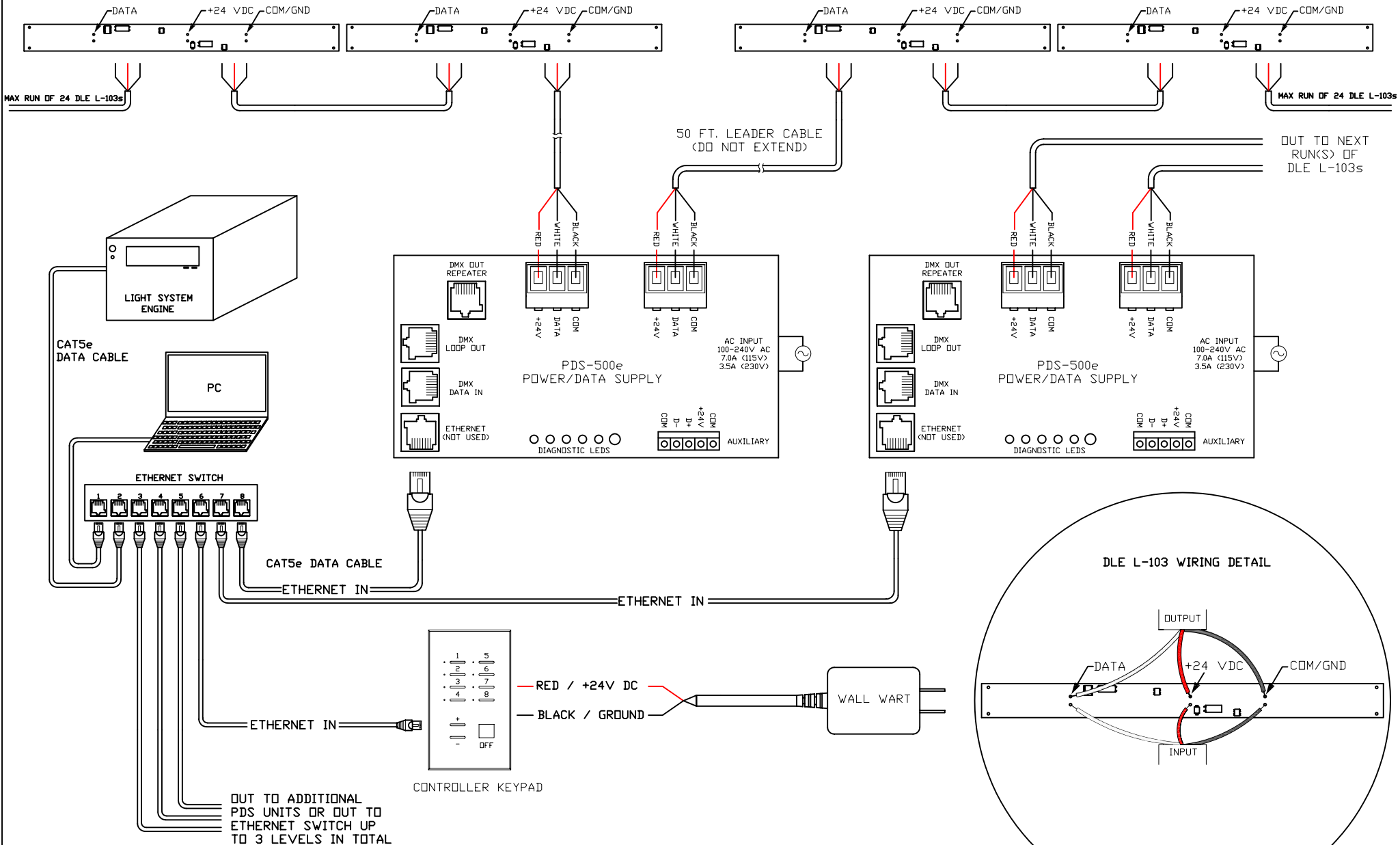



DLE L-103



- NOTES:**
- EACH PDS-500e WILL SUPPORT 2 RUNS OF DLE L-103 USING THE 50 FT. LEADER CABLES (SOLD SEPARATELY).
 - EACH 50 FT. LEADER CABLE SUPPORTS A MAX. OF 24 DLE L-103s, FOR A TOTAL MAX. OF 48 DLEs PER PDS-500e.
 - USE A TERMINATOR AT THE END OF EACH DLE RUN.
 - TOTAL MAX. LENGTH OF EACH RUN (INCLUDING DLEs) = 74 FT.
 - IF USING 1' JUMPER CABLES (SOLD SEPARATELY) YOU MUST SUBTRACT AND CUT TOTAL NUMBER USED FROM LEADER CABLE, TO STAY WITHIN THE 74' MAX. RUN LENGTH.

	COLOR KINETICS INCORPORATED 10 MILK STREET, SUITE 1100 BOSTON, MA 02108 888 FULL RGB 617 423 9999 WWW.COLORKINETICS.COM	TITLE: SYSTEM WIRING DIAGRAM (TYP)	DATE: DWG. BY: TC
	'FULL SPECTRUM DIGITAL LIGHTING'	PRODUCTS: DLE L-103/PDS-500e/LSM/ECK	SCALE: NTS REV: PAGE: 1 OF 1