

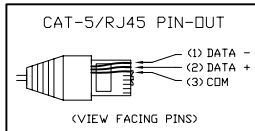
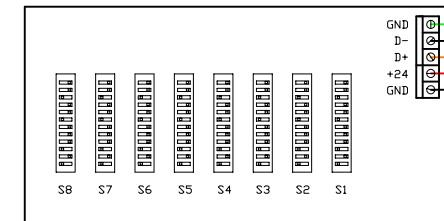
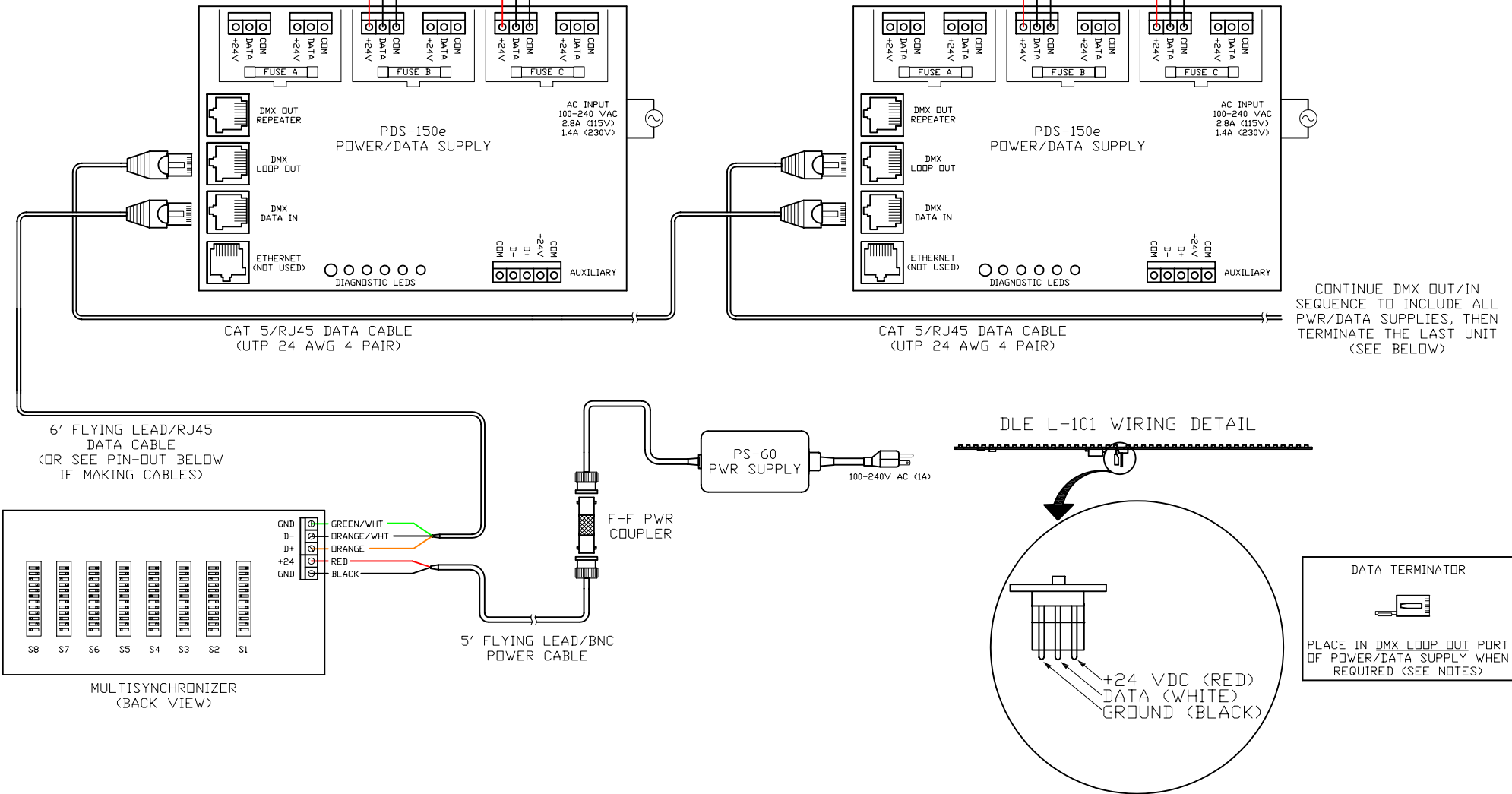
DLE L-101

NOTE:

- USE DMX OUT REPEATER (INSTEAD OF LOOP OUT) ON EVERY 32nd PDS UNIT IN A CHAIN, OR WHEN A DATA CABLE RUN BETWEEN UNITS EXCEEDS 400'. WHEN USING THE DMX OUT REPEATER, PLACE A DATA TERMINATOR IN THE DMX LOOP OUT PORT OF THAT PDS UNIT (SEE ABOVE).

CAUTION: CONNECT ONLY 1 HARNESS TO A FUSE GROUP (2 HARNESSES PER PDS-150e)

OUT TO NEXT RUNKS OF DLE L-101s



COLOR KINETICS INCORPORATED
 10 MILK STREET, SUITE 1100
 BOSTON, MA 02108
 888 FULL RGB
 617 423 9999
 WWW.COLORKINETICS.COM

FULL SPECTRUM DIGITAL LIGHTING

TITLE:	SYSTEM WIRING DIAGRAM (TYP)
PRODUCTS:	DLE L-101/PDS-150e/ MULTISYNCHRONIZER/PS-60

DATE:	
DWG. BY:	TC
SCALE:	NTS
REV:	01
PAGE:	1 OF 1

- NOTES:**
- MAX. TOTAL RUN LENGTH OF WIRE HARNESS FROM PDS-150e = 50 FT.
 - EACH FUSE GROUP ON THE PDS-150e SUPPORTS A MAX. OF 16-6' DLE L-101s FOR A TOTAL MAX. OF 32-6' DLE L-101s.
 - EACH FUSE GROUP ON THE PDS-150e SUPPORTS A MAX. OF 12-12' DLE L-101s FOR A TOTAL MAX. OF 24-12' DLE L-101s.