

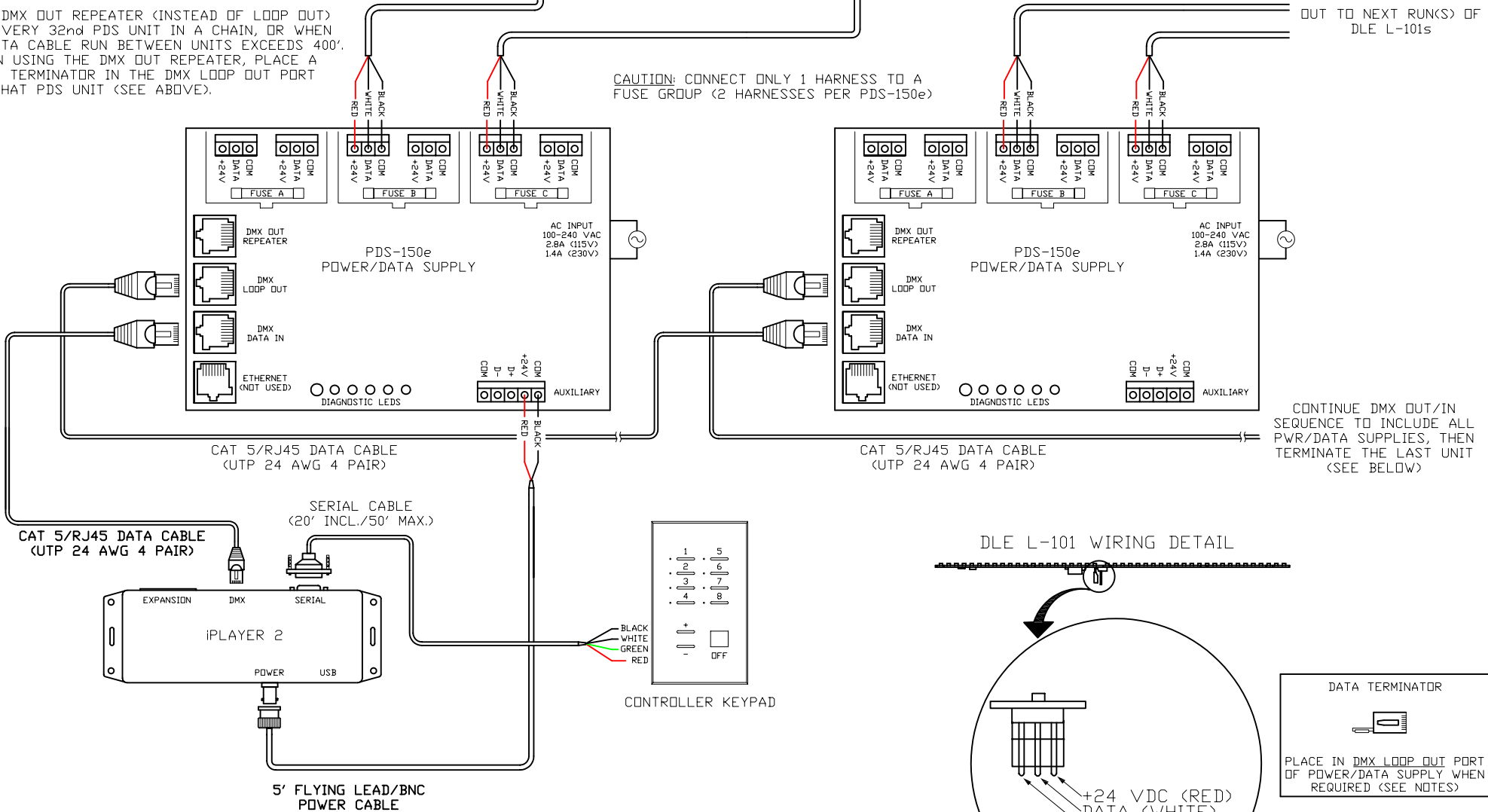
# DLE L-101

**NOTE:**

- USE DMX OUT REPEATER (INSTEAD OF LOOP OUT) ON EVERY 32nd PDS UNIT IN A CHAIN, OR WHEN A DATA CABLE RUN BETWEEN UNITS EXCEEDS 400'. WHEN USING THE DMX OUT REPEATER, PLACE A DATA TERMINATOR IN THE DMX LOOP OUT PORT OF THAT PDS UNIT (SEE ABOVE).

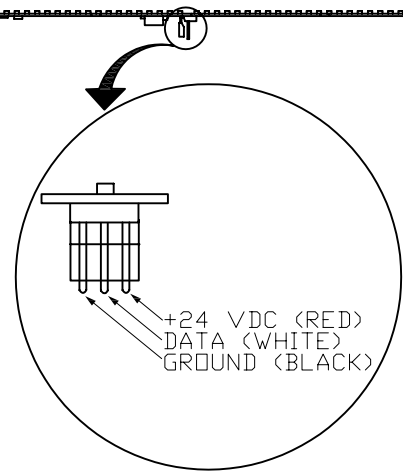
**CAUTION:** CONNECT ONLY 1 HARNESS TO A FUSE GROUP (2 HARNESSES PER PDS-150e)

OUT TO NEXT RUNKS) OF DLE L-101s



CONTINUE DMX OUT/IN SEQUENCE TO INCLUDE ALL PWR/DATA SUPPLIES, THEN TERMINATE THE LAST UNIT (SEE BELOW)

### DLE L-101 WIRING DETAIL



**DATA TERMINATOR**

PLACE IN DMX LOOP OUT PORT OF POWER/DATA SUPPLY WHEN REQUIRED (SEE NOTES)

**NOTES:**

- MAX. TOTAL RUN LENGTH OF WIRE HARNESS FROM PDS-150e = 50 FT.
- EACH FUSE GROUP ON THE PDS-150e SUPPORTS A MAX. OF 16-6' DLE L-101s FOR A TOTAL MAX. OF 32-6' DLE L-101s.
- EACH FUSE GROUP ON THE PDS-150e SUPPORTS A MAX. OF 12-12' DLE L-101s FOR A TOTAL MAX. OF 24-12' DLE L-101s.

|   |  |  |  |
|---|--|--|--|
| <p>CAT-5/RJ45 PIN-OUT</p> <p>(VIEW FACING PINS)</p> | <p>COLOR KINETICS INCORPORATED<br/>10 MILK STREET, SUITE 1100<br/>BOSTON, MA 02108<br/>888 FULL RGB<br/>617 423 9999<br/>WWW.COLORKINETICS.COM</p> <p>"FULL SPECTRUM DIGITAL LIGHTING"</p> | <p>TITLE:<br/>SYSTEM WIRING DIAGRAM (TYP)</p> <p>PRODUCTS:<br/>DLE L-101/PDS-150e/iPLAYER 2/<br/>CONTROLLER KEYPAD</p> | <p>DATE:<br/>DWG. BY: TC<br/>SCALE: NTS<br/>REV: 01<br/>PAGE: 1 OF 1</p> |
|---|--|--|--|