

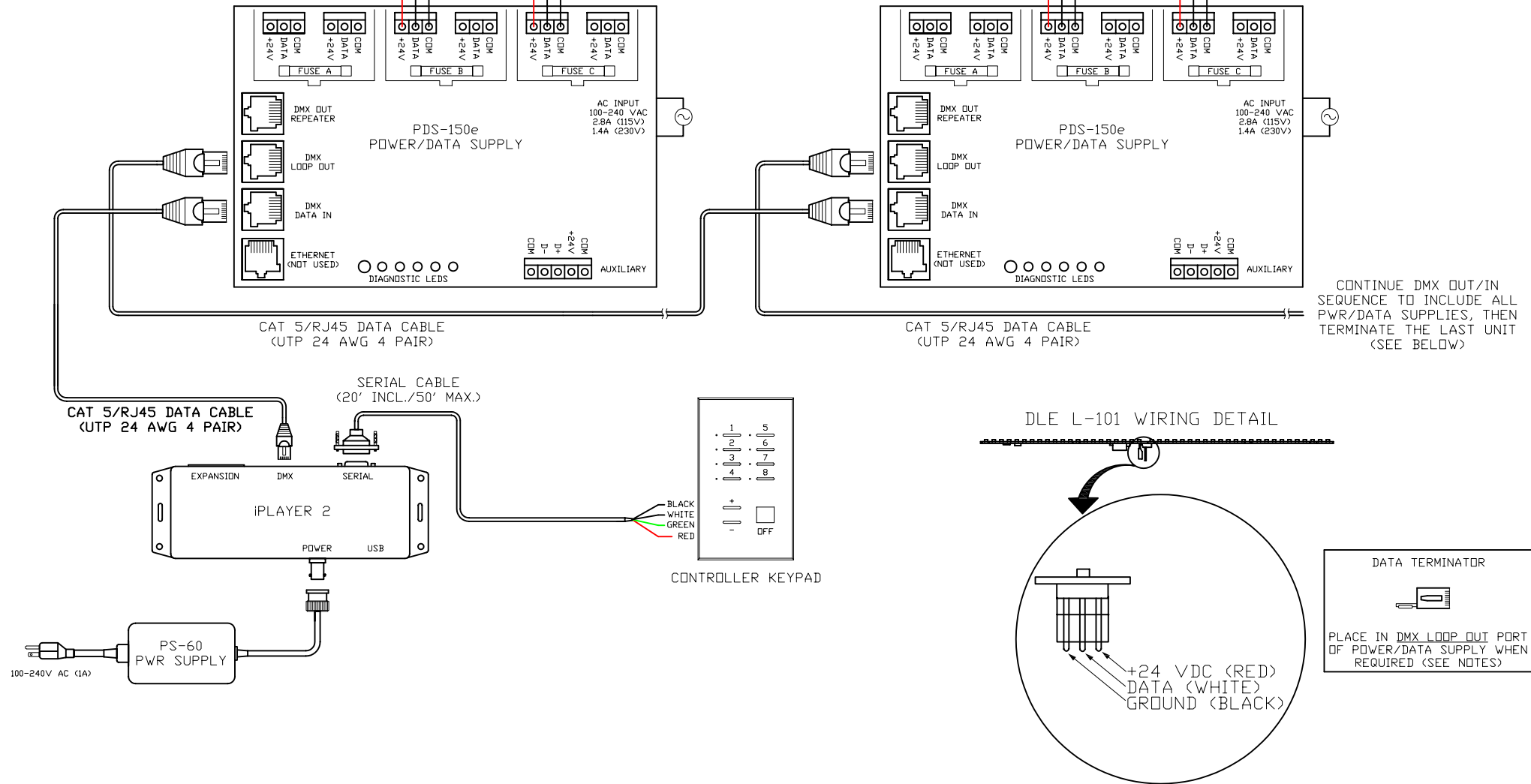
DLE L-101

NOTE:

- USE DMX OUT REPEATER (INSTEAD OF LOOP OUT) ON EVERY 32nd PDS UNIT IN A CHAIN, OR WHEN A DATA CABLE RUN BETWEEN UNITS EXCEEDS 400'. WHEN USING THE DMX OUT REPEATER, PLACE A DATA TERMINATOR IN THE DMX LOOP OUT PORT OF THAT PDS UNIT (SEE ABOVE).

CAUTION: CONNECT ONLY 1 HARNESS TO A FUSE GROUP (2 HARNESSES PER PDS-150e)

OUT TO NEXT RUNKS) OF DLE L-101s



CONTINUE DMX OUT/IN SEQUENCE TO INCLUDE ALL PWR/DATA SUPPLIES, THEN TERMINATE THE LAST UNIT (SEE BELOW)

DLE L-101 WIRING DETAIL

DATA TERMINATOR

PLACE IN DMX LOOP OUT PORT OF POWER/DATA SUPPLY WHEN REQUIRED (SEE NOTES)

NOTES:

- MAX. TOTAL RUN LENGTH OF WIRE HARNESS FROM PDS-150e = 50 FT.
- EACH FUSE GROUP ON THE PDS-150e SUPPORTS A MAX. OF 16-6' DLE L-101s FOR A TOTAL MAX. OF 32-6" DLE L-101s.
- EACH FUSE GROUP ON THE PDS-150e SUPPORTS A MAX. OF 12-12' DLE L-101s FOR A TOTAL MAX. OF 24-12" DLE L-101s.

<p>CAT-5/RJ45 PIN-OUT</p> <p>(VIEW FACING PINS)</p>	<p>COLOR KINETICS INCORPORATED 10 MILK STREET, SUITE 1100 BOSTON, MA 02108 888 FULL RGB 617 423 9999 WWW.COLORKINETICS.COM</p> <p>"FULL SPECTRUM DIGITAL LIGHTING"</p>	<p>TITLE: SYSTEM WIRING DIAGRAM (TYP)</p> <p>PRODUCTS: DLE L-101/PDS-150e/iPLAYER 2/ CONTROLLER KEYPAD/PS-60</p>	<p>DATE:</p> <p>DWG. BY: TC</p> <p>SCALE: NTS</p> <p>REV: 01</p> <p>PAGE: 1 OF 1</p>
---	--	--	--