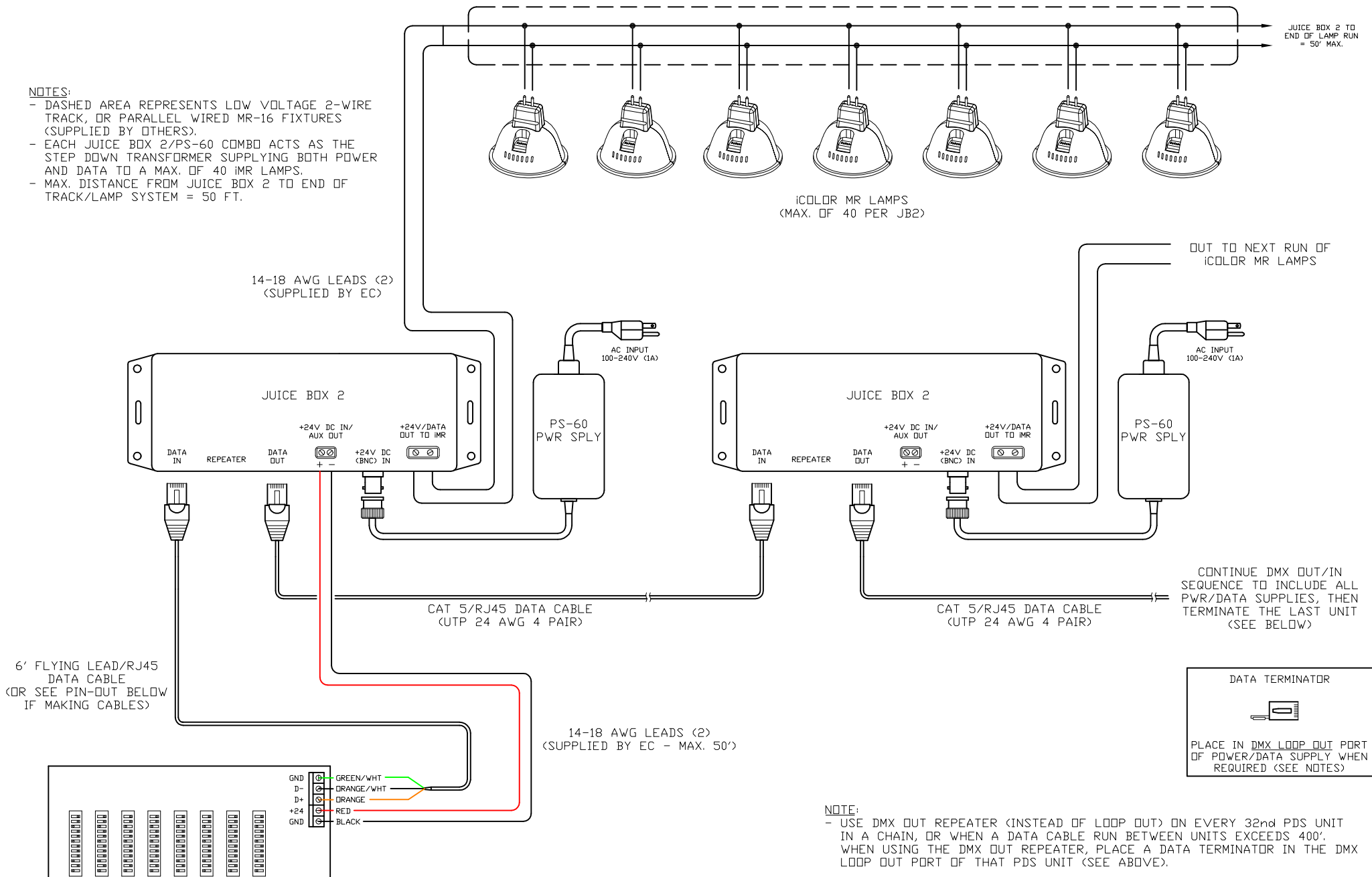
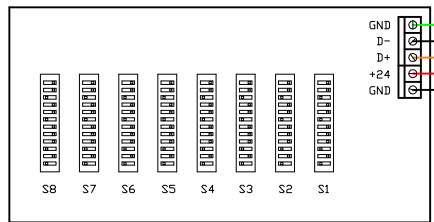


NOTES:

- DASHED AREA REPRESENTS LOW VOLTAGE 2-WIRE TRACK, OR PARALLEL WIRED MR-16 FIXTURES (SUPPLIED BY OTHERS).
- EACH JUICE BOX 2/PS-60 COMBO ACTS AS THE STEP DOWN TRANSFORMER SUPPLYING BOTH POWER AND DATA TO A MAX. OF 40 IMR LAMPS.
- MAX. DISTANCE FROM JUICE BOX 2 TO END OF TRACK/LAMP SYSTEM = 50 FT.

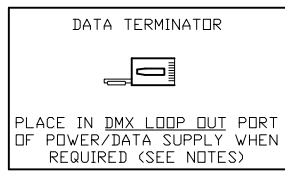


6' FLYING LEAD/RJ45 DATA CABLE (OR SEE PIN-OUT BELOW IF MAKING CABLES)



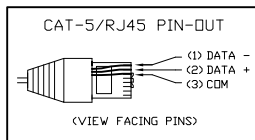
MULTISYNCHRONIZER (BACK VIEW)

CONTINUE DMX OUT/IN SEQUENCE TO INCLUDE ALL PWR/DATA SUPPLIES, THEN TERMINATE THE LAST UNIT (SEE BELOW)



NOTE:

- USE DMX OUT REPEATER (INSTEAD OF LOOP OUT) ON EVERY 32nd PDS UNIT IN A CHAIN, OR WHEN A DATA CABLE RUN BETWEEN UNITS EXCEEDS 400'. WHEN USING THE DMX OUT REPEATER, PLACE A DATA TERMINATOR IN THE DMX LOOP OUT PORT OF THAT PDS UNIT (SEE ABOVE).



COLOR KINETICS, INCORPORATED
10 MILK STREET, SUITE 1100
BOSTON, MA 02108
888 FULL RGB
617 423 9999
www.COLORKINETICS.COM

FULL SPECTRUM DIGITAL LIGHTING

TITLE: SYSTEM WIRING DIAGRAM (TYP)	DATE:
PRODUCTS: iCOLOR MR/JUICE BOX 2/ MULTISYNCHRONIZER	DWG. BY: TC
	SCALE: NTS
	REV:
	PAGE: 1 OF 1