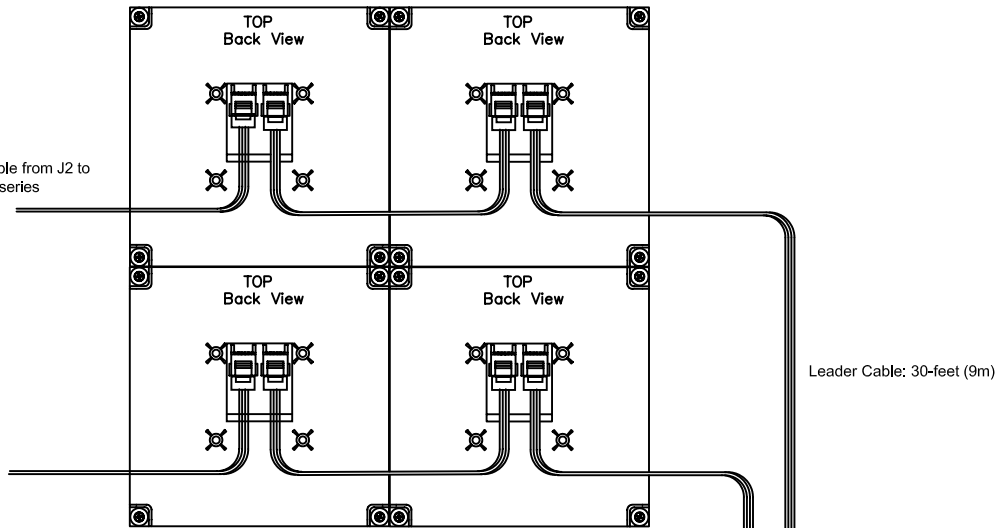


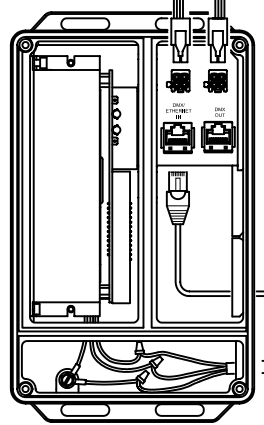
NOTE:
 - USE A THIRD PARTY DMX REPEATER ON EVERY 32nd PDS UNIT IN A CHAIN, OR WHEN THE TOTAL DMX DATA RUN EXCEEDS 1,000 FEET. REFER TO THE USITT DMX-512 STANDARD FOR MORE INFORMATION.
 - DO NOT SHORTEN OR LENGTHEN LEADER CABLE. CUTTING THE LEADER CABLE WILL DAMAGE THE DATA DRIVE CIRCUITRY.

Power/Data Jumper Cable from J2 to J1 on the next fixture in series



Maximum Series Runs

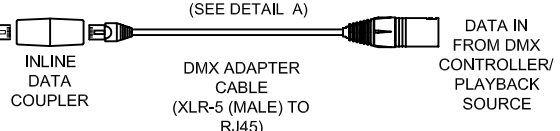
	Per PDS-60ca 7.5V	Per Output
Total Nodes	144	72
36 Node Fixtures	4	2
9 Node Fixtures	16	8



PDS-60ca 7.5 V DMX

CAT 5/RJ45 DATA CABLE (UTP 24 AWG 4 PAIR)

100-240VAC



DETAIL A

FRONT VIEW

XLR-5 MALE CONNECTOR

DATA CABLE (e.g. CAT-5 UTP 24AWG 4 PAIR)

RJ45 8-PIN MALE

VIEW FACING PINS

REQUIRED FOR COLOR KINETICS PRODUCTS (WHEN MAKING CABLES)

DATA - PIN 2	—————	PIN 1 DATA - (USUALLY WHITE/ORANGE)
DATA + PIN 3	—————	PIN 2 DATA + (USUALLY ORANGE)
SHIELD PIN 1	—————	PIN 3 SHIELD (USUALLY WHITE/GREEN)
PINS 4, 5 NOT USED		PINS 4-8 NOT USED

WIRE COLORS ARE TYPICAL OF CAT-5/RJ45 DATA CABLES, BUT MAY DIFFER. WHEN USING OTHER TYPES OF CABLES PAY CLOSE ATTENTION TO THE PIN DETAIL.

DATA TERMINATOR

PLACE IN LAST DMX OUT PORT OF POWER/DATA SUPPLY CHAIN

<p>CAT-5/RJ45 PIN-OUT</p> <p>(1) DATA - (2) DATA + (3) COM</p> <p>(VIEW FACING PINS)</p>	<p>COLOR KINETICS INCORPORATED 10 MILK STREET, SUITE 1100 BOSTON, MA 02108 888 FULL RGB 617 423 9999 WWW.COLORKINETICS.COM</p> <p>"FULL SPECTRUM DIGITAL LIGHTING"</p>	<p>TITLE: SYSTEM WIRING DIAGRAM (TYP)</p>	<p>DATE:</p>
		<p>PRODUCTS: iColor Module FX/PDS60ca DMX/DMX512-ADAPTER</p>	<p>DWG. BY: C.F. SCALE: NTS REV: PAGE: 1 OF 1</p>