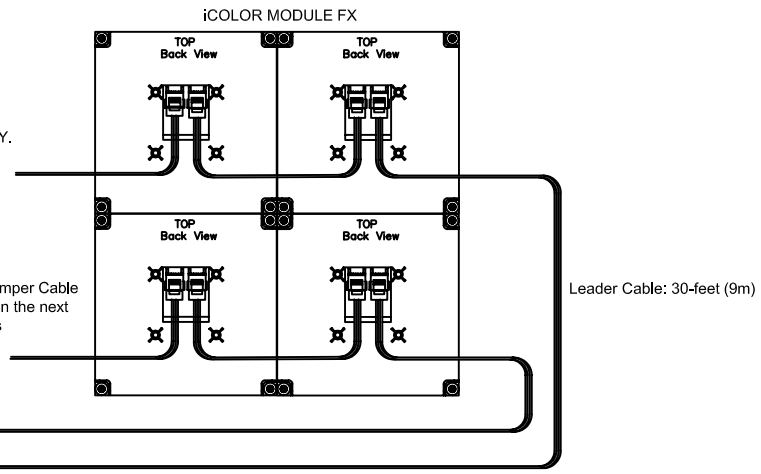


Maximum Series Runs per PDS-480ca 7.5V

	1152	72
Total Nodes	1152	72
36 Node Modules	32	2
9 Node Modules	128	8

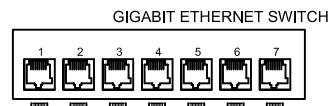
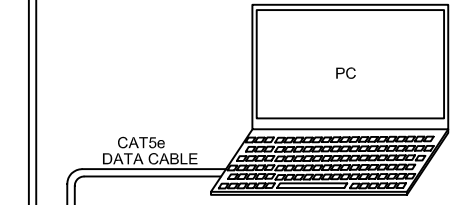
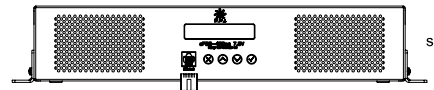
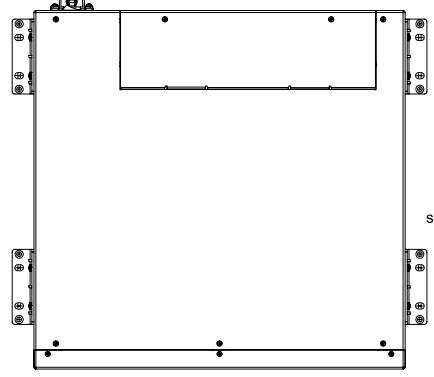
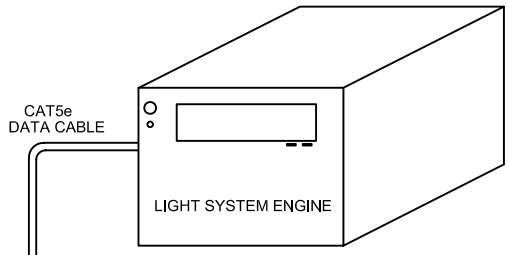
NOTE:
 - NEVER USE A DATA TERMINATOR WITH ETHERNET INPUT.
 - DO NOT SHORTEN OR LENGTHEN LEADER CABLE. CUTTING THE LEADER CABLE WILL DAMAGE THE MODULES AND/OR POWER DATA SUPPLY.



Maximum Series Runs per PDS-480ca 7.5V

	1152	72
Total Nodes	1152	72
36 Node Modules	32	2
9 Node Modules	128	8

100-240 VAC (AUTO RANGING)
 50-60 Hz



OUT TO ADDITIONAL sPDS-480ca
 UNITS OR OUT TO
 ETHERNET SWITCH UP TO 3
 LEVELS IN TOTAL



COLOR KINETICS INCORPORATED
 10 MILK STREET, SUITE 1100
 BOSTON, MA 02108
 888 FULL RGB
 617.423.9999
WWW.COLORKINETICS.COM
 "FULL SPECTRUM DIGITAL LIGHTING"

TITLE:	SYSTEM WIRING DIAGRAM (TYP)	DATE:	6-23-2005
PRODUCTS:	ICOLOR MODULE FX / sPDS-480ca 7.5V / LSM	DWG. BY:	MJ
		SCALE:	NTS
		REV:	
		PAGE:	1 OF 1