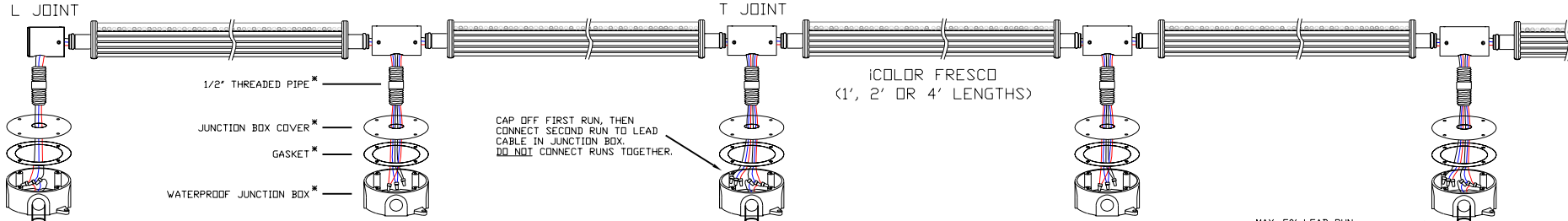


MAX. RUN = 12 LINEAR FT. MAX. RUN = 12 LINEAR FT.



- 1/2" THREADED PIPE *
- JUNCTION BOX COVER *
- GASKET *
- WATERPROOF JUNCTION BOX *

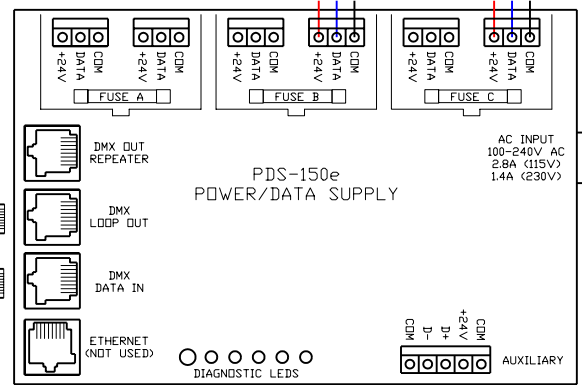
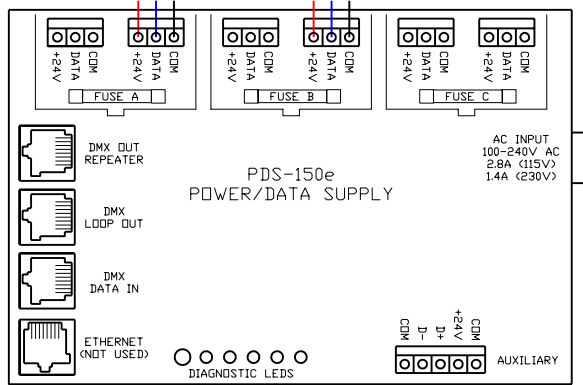
CAP OFF FIRST RUN, THEN CONNECT SECOND RUN TO LEAD CABLE IN JUNCTION BOX. DO NOT CONNECT RUNS TOGETHER.

NOTES:

- EACH PDS-150e WILL SUPPORT TWO (2) RUNS OF iCOLOR FRESCO.
- EACH RUN CAN CONTAIN A MAX. OF 12 LINEAR FT. OF iCOLOR FRESCO FIXTURES, FOR A TOTAL OF 24 L.F. PER PDS-150e.
- USE 3 CONDUCTOR, 14-16 AWG LEAD CABLES (SUPPLIED BY OTHERS) FROM PDS-150e TO FIRST JUNCTION BOX.
- MAX. CABLE RUN FROM PDS-150e TO LAST LIGHT: 50 FEET (15m).

CAUTION: CONNECT ONLY 1 FIXTURE RUN (12 L.F.) TO A FUSE GROUP

* SUPPLIED BY OTHERS

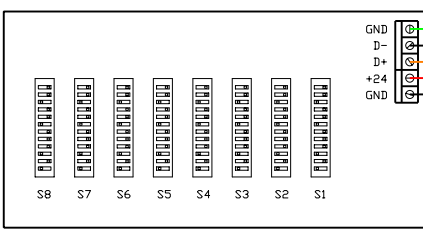


CAT 5/RJ45 DATA CABLE (UTP 24 AWG 4 PAIR)

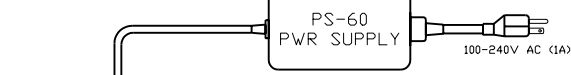
CAT 5/RJ45 DATA CABLE (UTP 24 AWG 4 PAIR)

CONTINUE DMX OUT/IN SEQUENCE TO INCLUDE ALL PWR/DATA SUPPLIES, THEN TERMINATE THE LAST UNIT (SEE BELOW)

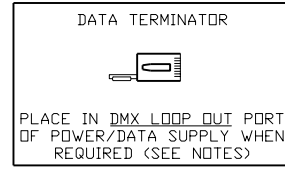
6' FLYING LEAD/RJ45 DATA CABLE (OR SEE PIN-OUT BELOW IF MAKING CABLES)



MULTISYNCHRONIZER (BACK VIEW)



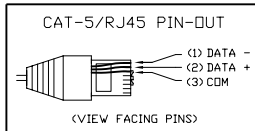
5' FLYING LEAD/BNC POWER CABLE



PLACE IN DMX LOOP OUT PORT OF POWER/DATA SUPPLY WHEN REQUIRED (SEE NOTES)

NOTE:

- USE DMX OUT REPEATER (INSTEAD OF LOOP OUT) ON EVERY 32nd PDS UNIT IN A CHAIN, OR WHEN A DATA CABLE RUN BETWEEN UNITS EXCEEDS 400'. WHEN USING THE DMX OUT REPEATER, PLACE A DATA TERMINATOR IN THE DMX LOOP OUT PORT OF THAT PDS UNIT (SEE ABOVE).



COLOR KINETICS INCORPORATED
10 MILK STREET, SUITE 1100
BOSTON, MA 02108
888 FULL RGB
617 423 9999
WWW.COLORKINETICS.COM

FULL SPECTRUM DIGITAL LIGHTING

TITLE: SYSTEM WIRING DIAGRAM (TYP)	DATE:
PRODUCTS: iCOLOR FRESCO/PDS-150e/ MULTISYNCHRONIZER/PS-60	DWG. BY: TC
	SCALE: NTS
	REV:
	PAGE: 1 OF 1