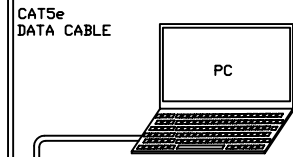
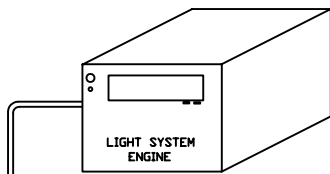
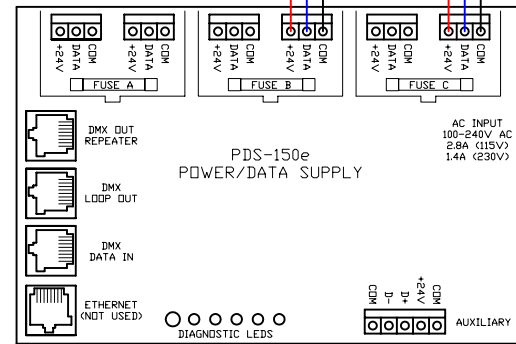
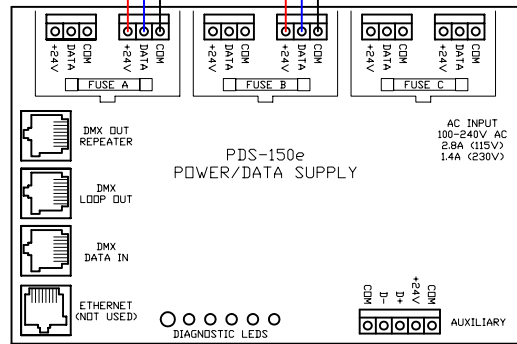


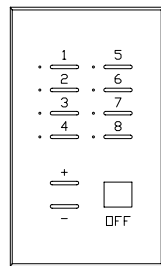
- NOTES:
- EACH PDS-150e WILL SUPPORT TWO (2) RUNS OF iCOLOR FRESCO.
 - EACH RUN CAN CONTAIN A MAX. OF 12 LINEAR FT. OF iCOLOR FRESCO FIXTURES, FOR A TOTAL OF 24 L.F. PER PDS-150e.
 - USE 3 CONDUCTOR, 14-16 AWG LEAD CABLES (SUPPLIED BY OTHERS) FROM PDS-150e TO FIRST JUNCTION BOX.
 - MAX. CABLE RUN FROM PDS-150e TO LAST LIGHT: 50 FEET (15m).

CAUTION: CONNECT ONLY 1 FIXTURE RUN (12 L.F.) TO A FUSE GROUP



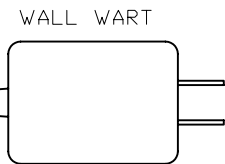
OUT TO ADDITIONAL PDS UNITS OR OUT TO ETHERNET SWITCH UPTO 3 LEVELS IN TOTAL

CONTROLLER KEYPAD



RED / +24V DC

BLACK / GROUND



COLOR KINETICS INCORPORATED
10 MILK STREET, SUITE 1100
BOSTON, MA 02108
888 FULL RGB
617 423 9999
WWW.COLORKINETICS.COM

FULL SPECTRUM DIGITAL LIGHTING

TITLE: SYSTEM WIRING DIAGRAM (TYP)	DATE:
PRODUCTS: iCOLOR FRESCO/PDS-150e/LSM/ECK	DWG. BY: TC
	SCALE: NTS
	REV:
	PAGE: 1 OF 1