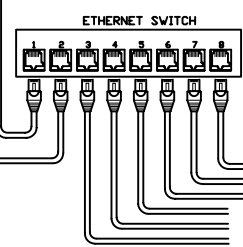
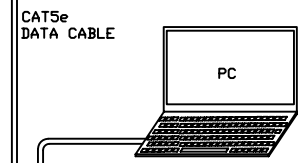
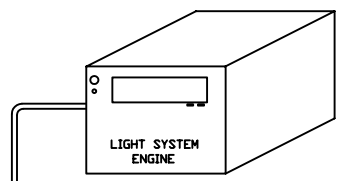
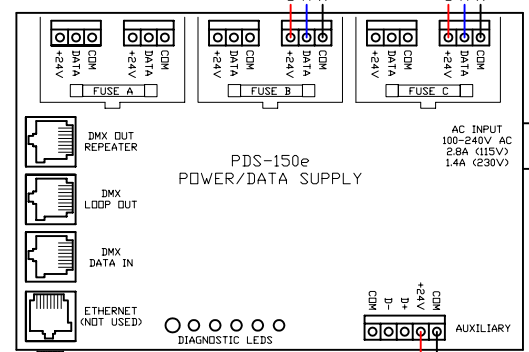
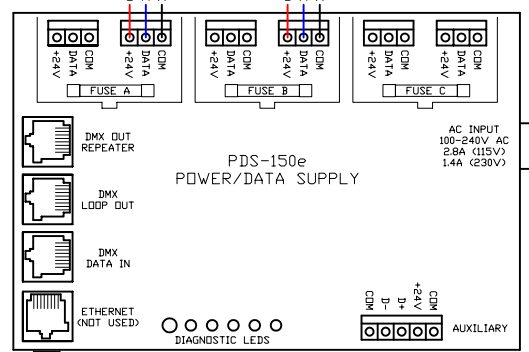


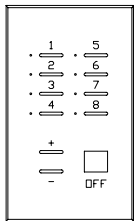
- NOTES:
- EACH PDS-150e WILL SUPPORT TWO (2) RUNS OF iCOLOR FRESCO.
 - EACH RUN CAN CONTAIN A MAX. OF 12 LINEAR FT. OF iCOLOR FRESCO FIXTURES, FOR A TOTAL OF 24 L.F. PER PDS-150e.
 - USE 3 CONDUCTOR, 14-16 AWG LEAD CABLES (SUPPLIED BY OTHERS)
 - MAX. CABLE RUN FROM PDS-150e TO LAST LIGHT: 50 FEET (15m).

CAUTION: CONNECT ONLY 1 FIXTURE RUN (12 L.F.) TO A FUSE GROUP




OUT TO ADDITIONAL PDS UNITS OR OUT TO ETHERNET SWITCH UPTO 3 LEVELS IN TOTAL

CONTROLLER KEYPAD



RED / +24V DC
BLACK / GROUND

	COLOR KINETICS INCORPORATED 10 MILK STREET, SUITE 1100 BOSTON, MA 02108 888 FULL RGB 617 423 9999 WWW.COLORKINETICS.COM	TITLE: SYSTEM WIRING DIAGRAM (TYP)	DATE:
	FULL SPECTRUM DIGITAL LIGHTING	PRODUCTS: iCOLOR FRESCO/PDS-150e/LSM/ECK/ PDS-150e	DWG. BY: TC
			SCALE: NTS
			REV:
			PAGE: 1 OF 1