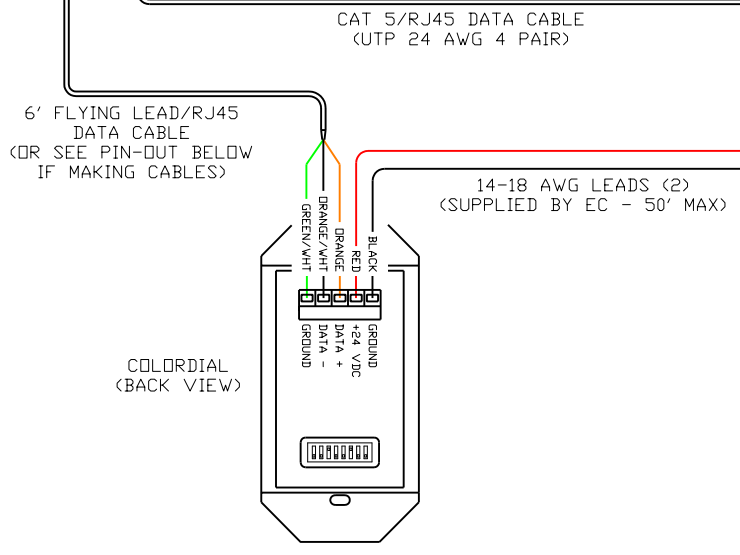
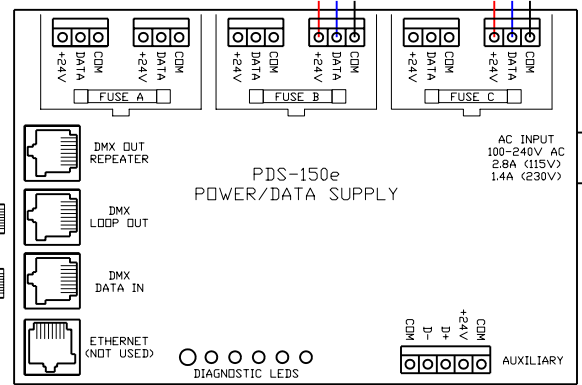
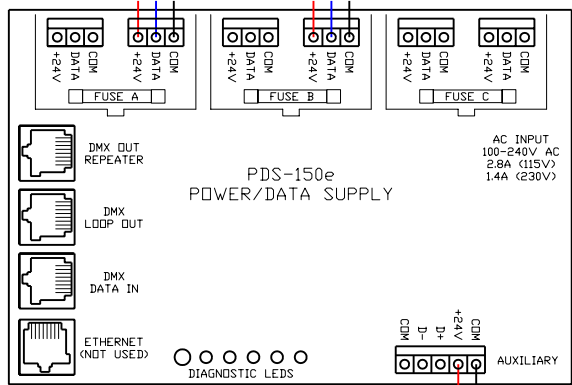
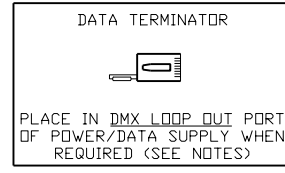


- NOTES:**
- EACH PDS-150e WILL SUPPORT TWO (2) RUNS OF iCOLOR FRESCO.
 - EACH RUN CAN CONTAIN A MAX. OF 12 LINEAR FT. OF iCOLOR FRESCO FIXTURES, FOR A TOTAL OF 24 L.F. PER PDS-150e.
 - USE 3 CONDUCTOR, 14-16 AWG LEAD CABLES (SUPPLIED BY OTHERS) FROM PDS-150e TO FIRST JUNCTION BOX.
 - MAX. CABLE RUN FROM PDS-150e TO LAST LIGHT: 50 FEET (15m).

CAUTION: CONNECT ONLY 1 FIXTURE RUN (12 L.F.) TO A FUSE GROUP

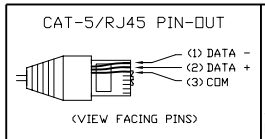


CONTINUE DMX OUT/IN SEQUENCE TO INCLUDE ALL PWR/DATA SUPPLIES, THEN TERMINATE THE LAST UNIT (SEE BELOW)



NOTE:

- USE DMX OUT REPEATER (INSTEAD OF LOOP OUT) ON EVERY 32nd PDS UNIT IN A CHAIN, OR WHEN A DATA CABLE RUN BETWEEN UNITS EXCEEDS 400'. WHEN USING THE DMX OUT REPEATER, PLACE A DATA TERMINATOR IN THE DMX LOOP OUT PORT OF THAT PDS UNIT (SEE ABOVE).



COLOR KINETICS INCORPORATED
 10 MILK STREET, SUITE 1100
 BOSTON, MA 02108
 888 FULL RGB
 617 423 9999
 WWW.COLORKINETICS.COM

“FULL SPECTRUM DIGITAL LIGHTING”

TITLE: SYSTEM WIRING DIAGRAM (TYP)	DATE:
PRODUCTS: iCOLOR FRESCO/PDS-150e/COLORDIAL	DWG. BY: TC
	SCALE: NTS
	REV:
	PAGE: 1 OF 1