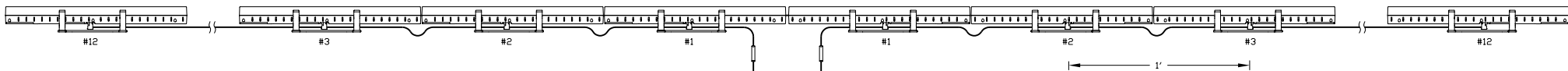


**NOTES:**

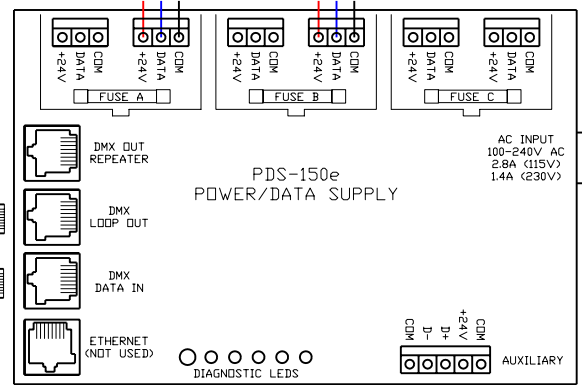
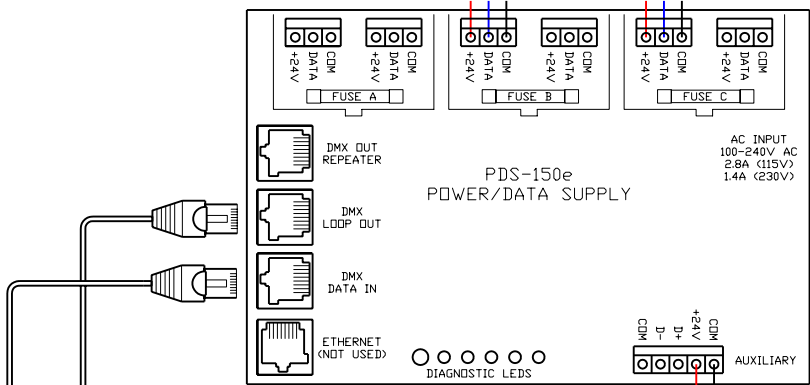
- STANDARD WIRE HARNESS (SOLD SEPARATELY) IS 50 FT. IN LENGTH WITH 12 CLIPS PRE-INSTALLED ALONG FINAL 13 FT. SECTION THAT SNAP INTO EACH FIXTURE.
- EACH STANDARD HARNESS SUPPORTS A MAX. OF 12-12" FIXTURES, FOR A TOTAL MAX. OF 24-12" FIXTURES PER PDS-150e (OR USE TO MIX 12" AND 6" FIXTURES).
- MAX. TOTAL RUN LENGTH OF HARNESS FROM PDS-150e = 50 FT. (AS SUPPLIED).
- EACH PDS-150e SUPPORTS A MAX. OF 16-6" FIXTURES FOR A TOTAL MAX. OF 32-6" FIXTURES.

ICOLOR COVE, COVE LT, OR COVE NXT 12"



WIRE HARNESS FOR ICOLOR COVE 12"  
(USE 2 PER PDS-150e -  
SEE NOTES ABOVE FOR DETAILS)

CAUTION: CONNECT ONLY 1 HARNESS TO A FUSE GROUP (2 HARNESSES PER PDS-150e)



OUT TO NEXT RUN(S) OF  
ICOLOR COVE FIXTURES

CONTINUE DMX OUT/IN  
SEQUENCE TO INCLUDE ALL  
PWR/DATA SUPPLIES, THEN  
TERMINATE THE LAST UNIT  
(SEE BELOW)

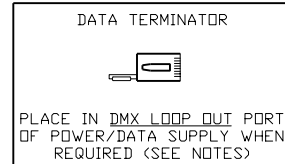
CAT 5/RJ45 DATA CABLE  
(UTP 24 AWG 4 PAIR)

CAT 5/RJ45 DATA CABLE  
(UTP 24 AWG 4 PAIR)

CAT 5/RJ45 DATA CABLE  
(UTP 24 AWG 4 PAIR)

5' FLYING LEAD/BNC  
POWER CABLE

SYNCHRONIZER



**NOTE:**

- USE DMX OUT REPEATER (INSTEAD OF LOOP OUT) ON EVERY 32nd PDS UNIT IN A CHAIN, OR WHEN A DATA CABLE RUN BETWEEN UNITS EXCEEDS 400'. WHEN USING THE DMX OUT REPEATER, PLACE A DATA TERMINATOR IN THE DMX LOOP OUT PORT OF THAT PDS UNIT (SEE ABOVE).

<p>CAT-5/RJ45 PIN-OUT</p> <p>(VIEW FACING PINS)</p>	<p>COLOR KINETICS INCORPORATED 10 MILK STREET, SUITE 1100 BOSTON, MA 02108 888 FULL RGB 617 423 9999 WWW.COLORKINETICS.COM</p> <p>*FULL SPECTRUM DIGITAL LIGHTING*</p>	<p>TITLE: SYSTEM WIRING DIAGRAM (TYP)</p> <p>PRODUCTS: ICOLOR COVE-COVE LT-COVE NXT /PDS-150e/SYNCHRONIZER</p>	<p>DATE:</p> <p>DWG. BY: TC</p> <p>SCALE: NTS</p> <p>REV:</p> <p>PAGE: 1 OF 1</p>
---	--	--	---