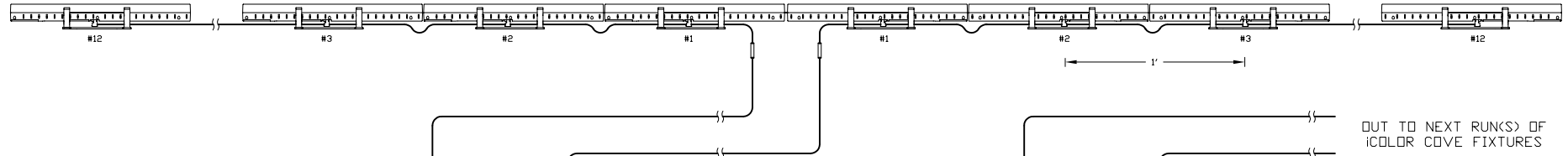


NOTES:

- STANDARD WIRE HARNESS (SOLD SEPARATELY) IS 50 FT. IN LENGTH WITH 12 CLIPS PRE-INSTALLED ALONG FINAL 13 FT. SECTION THAT SNAP INTO EACH FIXTURE.
- EACH STANDARD HARNESS SUPPORTS A MAX. OF 12-12" FIXTURES, FOR A TOTAL MAX. OF 24-12" FIXTURES PER PDS-150e (OR USE TO MIX 12" AND 6" FIXTURES).
- MAX. TOTAL RUN LENGTH OF HARNESS FROM PDS-150e = 50 FT. (AS SUPPLIED).
- EACH PDS-150e SUPPORTS A MAX. OF 16-6" FIXTURES FOR A TOTAL MAX. OF 32-6" FIXTURES.

iCOLOR COVE, COVE LT, OR COVE NXT 12"

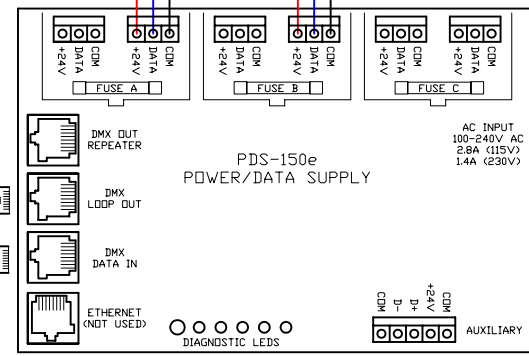
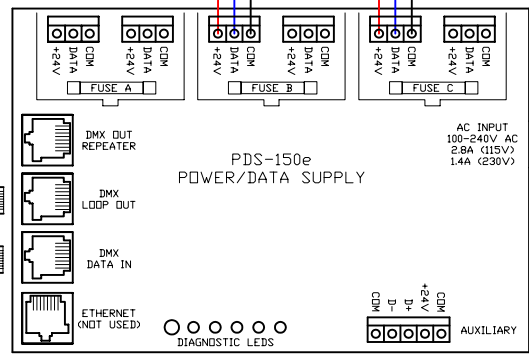


CAUTION: CONNECT ONLY 1 HARNESS TO A FUSE GROUP (2 HARNESSES PER PDS-150e)

WIRE HARNESS FOR iCOLOR COVE 12"
(USE 2 PER PDS-150e - SEE NOTES ABOVE FOR DETAILS)

OUT TO NEXT RUN(S) OF iCOLOR COVE FIXTURES

CONTINUE DMX OUT/IN SEQUENCE TO INCLUDE ALL PWR/DATA SUPPLIES, THEN TERMINATE THE LAST UNIT (SEE BELOW)

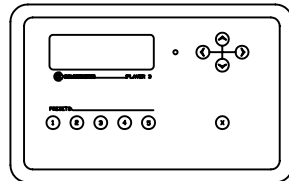


CAT 5/RJ45 DATA CABLE (UTP 24 AWG 4 PAIR)

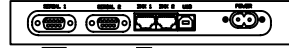
CAT 5/RJ45 DATA CABLE (UTP 24 AWG 4 PAIR)

CAT 5/RJ45 DATA CABLE (UTP 24 AWG 4 PAIR)

FACEPLATE VIEW



CONNECTION VIEW



TO SERIAL INTERFACE (50' MAX CABLE LENGTH)

100-240VAC

NOTE:

- USE THE DMX OUT REPEATER PORT ON EVERY 32nd PDS UNIT IN THE DAISY CHAIN OR WHEN THE TOTAL DMX DATA RUN EXCEEDS 1000 FEET (300m). REFER TO THE "RECOMMENDED PRACTICES FOR DMX512" OR CONTACT TECHNICAL SUPPORT FOR FURTHER INFORMATION REGARDING INSTALLATIONS UTILIZING DMX512.
- iPLAYER 3 CAN SUPPORT TWO SEPARATE DMX UNIVERSES. USE "DMX 1" FOR SINGLE UNIVERSE APPLICATIONS. REFER TO iPLAYER 3 USER GUIDE FOR ADDITIONAL ON-BOARD FEATURES.
- PLACE A DATA TERMINATOR IN THE DMX LOOP OUT PORT OF THE LAST PDS UNIT IN THE DAISY-CHAIN.



COPYRIGHT © 2007 PHILIPS SOLIDSTATE LIGHTING SOLUTIONS. ALL RIGHTS RESERVED. CHROMASCOPY, CHROMASCOPIC, THE COLOR KINETICS LOGO, COLOR KINETICS, THE LEADER IN INTELLIGENT LIGHT, COLORSHIFT, COLOURSCAPE, COLOURSHIFT, COLOURSCAPE, COLOURSCAPE, DEMAND, DIRECT LIGHT, ESSENTIALWHITE, iV, iCOLOR, iCOLOR COVE, INTELLIBRITE, iV, iPLAYER, LIGHT BENDOUT UNITS, OPTIBER, POWERCORE, QUICKPLAY, SAUCE, THE SAUCE LOGO, AND SMARTJUICE ARE EITHER REGISTERED TRADEMARKS OR TRADEMARKS OF PHILIPS SOLIDSTATE LIGHTING SOLUTIONS IN THE UNITED STATES AND/OR OTHER COUNTRIES. ALL OTHER BRAND OR PRODUCT NAMES ARE TRADEMARKS OR REGISTERED TRADEMARKS OF THEIR RESPECTIVE OWNERS.

DATA TERMINATOR



PLACE IN DMX LOOP OUT PORT OF POWER/DATA SUPPLY WHEN REQUIRED (SEE NOTES)

CAT5/RJ45 PINOUT



(VIEW FACING PINS)

TITLE:

SYSTEM WIRING DIAGRAM (TYP)

PRODUCTS:

iCOLOR COVE NXT/PDS-150e/iPLAYER 3

DATE: 10-9-2007

DWG. BY: BHG

SCALE: NTS

REV:

PAGE: 1 OF 1