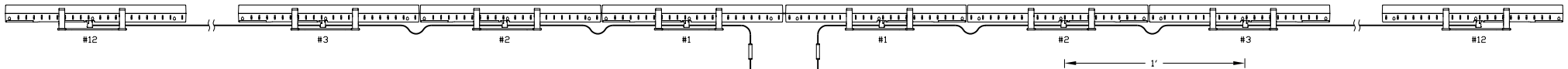


NOTES:

- STANDARD WIRE HARNESS (SOLD SEPARATELY) IS 50 FT. IN LENGTH WITH 12 CLIPS PRE-INSTALLED ALONG FINAL 13 FT. SECTION THAT SNAP INTO EACH FIXTURE.
- EACH STANDARD HARNESS SUPPORTS A MAX. OF 12-12" FIXTURES, FOR A TOTAL MAX. OF 24-12" FIXTURES PER PDS-150e (OR USE TO MIX 12" AND 6" FIXTURES).
- MAX. TOTAL RUN LENGTH OF HARNESS FROM PDS-150e = 50 FT. (AS SUPPLIED).
- EACH PDS-150e SUPPORTS A MAX. OF 16-6" FIXTURES FOR A TOTAL MAX. OF 32-6" FIXTURES.

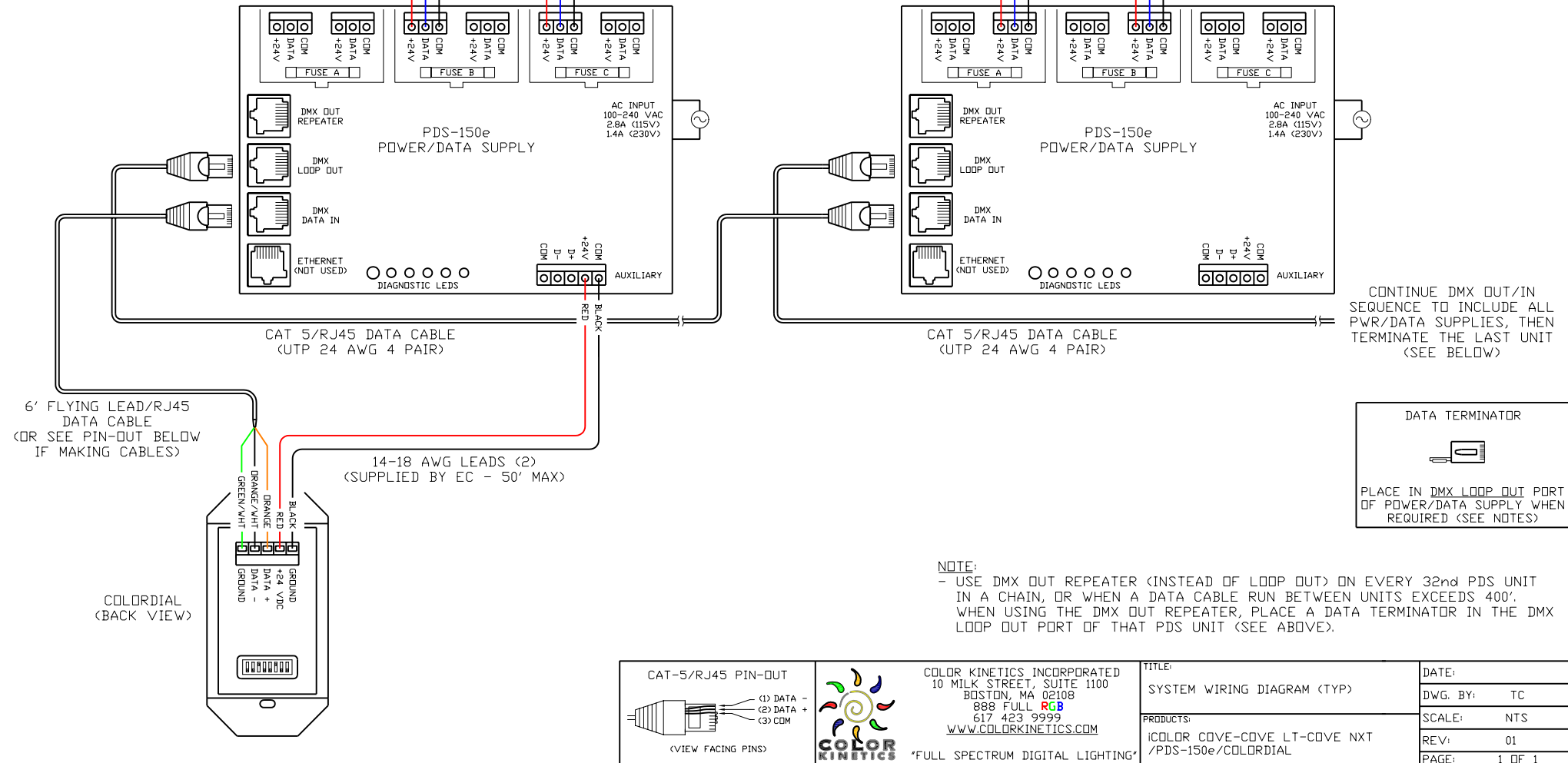
ICOLOR COVE, COVE LT, OR COVE NXT 12"



WIRE HARNESS FOR ICOLOR COVE 12"
(USE 2 PER PDS-150e -
SEE NOTES ABOVE FOR DETAILS)

CAUTION: CONNECT ONLY 1 HARNESS TO A FUSE GROUP (2 HARNESSES PER PDS-150e)

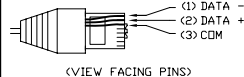
OUT TO NEXT RUN(S) OF ICOLOR COVE FIXTURES



NOTE:

- USE DMX OUT REPEATER (INSTEAD OF LOOP OUT) ON EVERY 32nd PDS UNIT IN A CHAIN, OR WHEN A DATA CABLE RUN BETWEEN UNITS EXCEEDS 400'. WHEN USING THE DMX OUT REPEATER, PLACE A DATA TERMINATOR IN THE DMX LOOP OUT PORT OF THAT PDS UNIT (SEE ABOVE).

CAT-5/RJ45 PIN-OUT



COLOR KINETICS INCORPORATED
10 MILK STREET, SUITE 1100
BOSTON, MA 02108
888 FULL RGB
617 423 9999
WWW.COLORKINETICS.COM

FULL SPECTRUM DIGITAL LIGHTING

TITLE:
SYSTEM WIRING DIAGRAM (TYP)

PRODUCTS:
ICOLOR COVE-COVE LT-COVE NXT
/PDS-150e/COLORDIAL

DATE:

DWG. BY: TC

SCALE: NTS

REV: 01

PAGE: 1 OF 1