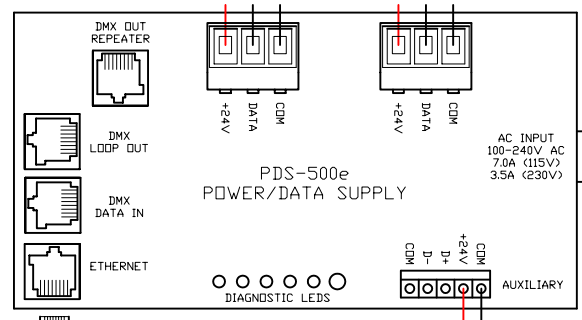
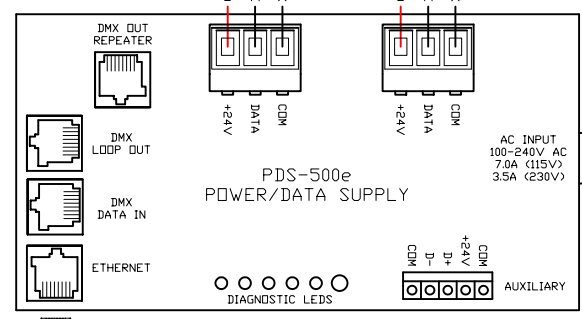
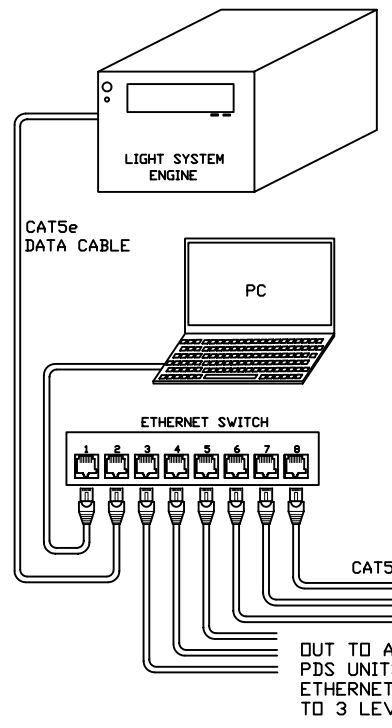


- NOTES:**
- EACH PDS-500e WILL SUPPORT 2 RUNS OF iCOLOR ACCENT USING THE 50 FT. LEADER CABLES (SOLD SEPARATELY).
 - EACH 50 FT. LEADER CABLE SUPPORTS A MAX. OF 24 LINEAR FT. OF iCOLOR ACCENT FIXTURES, FOR A TOTAL MAX. OF 48 L.F. PER PDS-500e.
 - USE A TERMINATOR (INCL. W/ LEADER CABLE) AT THE END OF EACH FIXTURE RUN.
 - TOTAL MAX. LENGTH OF EACH RUN (INCLUDING FIXTURES) = 74 FT.
 - IF USING 1' JUMPER CABLES (SOLD SEPARATELY) YOU MUST SUBTRACT AND CUT TOTAL NUMBER USED FROM LEADER CABLE, TO STAY WITHIN THE 74' MAX. RUN LENGTH.

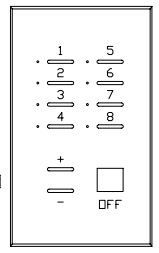
iCOLOR ACCENT 50 FT. LEADER CABLE (MAX. 2 PER PDS-500e - DO NOT EXTEND)

OUT TO NEXT RUN(S) OF iCOLOR ACCENT FIXTURES



ETHERNET IN

ETHERNET IN



RED / +24V DC

BLACK / GROUND

<p>COLOR KINETICS INCORPORATED 10 MILK STREET, SUITE 1100 BOSTON, MA 02108 888 FULL RGB 617 423 9999 WWW.COLORKINETICS.COM</p> <p>*FULL SPECTRUM DIGITAL LIGHTING*</p>	<p>TITLE: SYSTEM WIRING DIAGRAM (TYP)</p>	<p>DATE:</p>
	<p>PRODUCTS: iCOLOR ACCENT/PDS-500e/LSM/ECK/ PDS-500e</p>	<p>DWG. BY: BT</p>
	<p>SCALE: NTS</p>	<p>REV:</p>
		<p>PAGE: 1 OF 1</p>