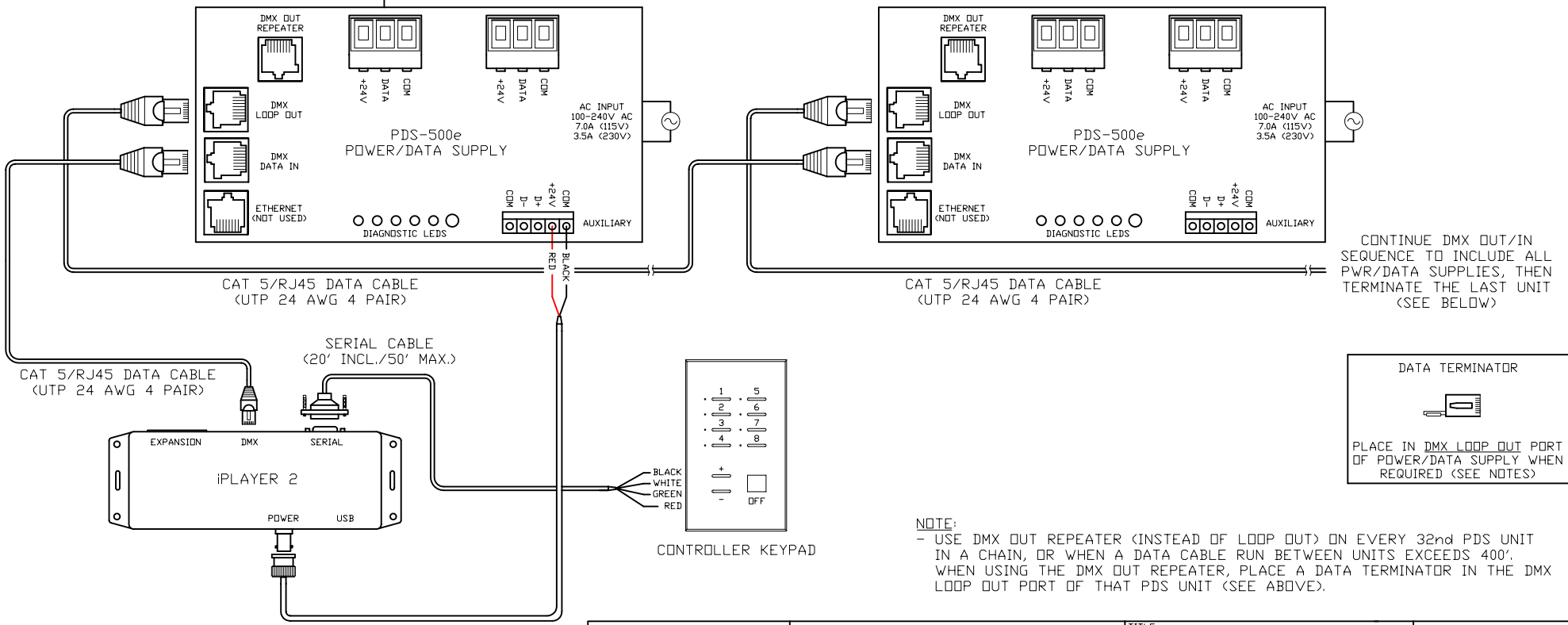



OUTPUT TO LIGHTS  
REFER TO YOUR DLE DATA SHEET  
FOR SPECIFIC WIRING DETAILS



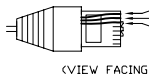

CONTINUE DMX OUT/IN  
SEQUENCE TO INCLUDE ALL  
PWR/DATA SUPPLIES, THEN  
TERMINATE THE LAST UNIT  
(SEE BELOW)

DATA TERMINATOR



PLACE IN DMX LOOP OUT PORT  
OF POWER/DATA SUPPLY WHEN  
REQUIRED (SEE NOTES)

**NOTE:**  
- USE DMX OUT REPEATER (INSTEAD OF LOOP OUT) ON EVERY 32nd PDS UNIT  
IN A CHAIN, OR WHEN A DATA CABLE RUN BETWEEN UNITS EXCEEDS 400'.  
WHEN USING THE DMX OUT REPEATER, PLACE A DATA TERMINATOR IN THE DMX  
LOOP OUT PORT OF THAT PDS UNIT (SEE ABOVE).

<p>CAT-5/RJ45 PIN-OUT</p>  <p>(1) DATA - (2) DATA + (3) COM</p> <p>(VIEW FACING PINS)</p>	 <p>COLOR KINETICS INCORPORATED 10 MILK STREET, SUITE 1100 BOSTON, MA 02108 888 FULL RGB 617 423 9999 WWW.COLORKINETICS.COM</p> <p>"FULL SPECTRUM DIGITAL LIGHTING"</p>	<p>TITLE: SYSTEM WIRING DIAGRAM (TYP)</p> <p>PRODUCTS: PDS-500e/iPLAYER 2/ CONTROLLER KEYPAD</p>	<p>DATE: DWG. BY: TC SCALE: NTS REV: PAGE: 1 OF 1</p>
--	--	--	---