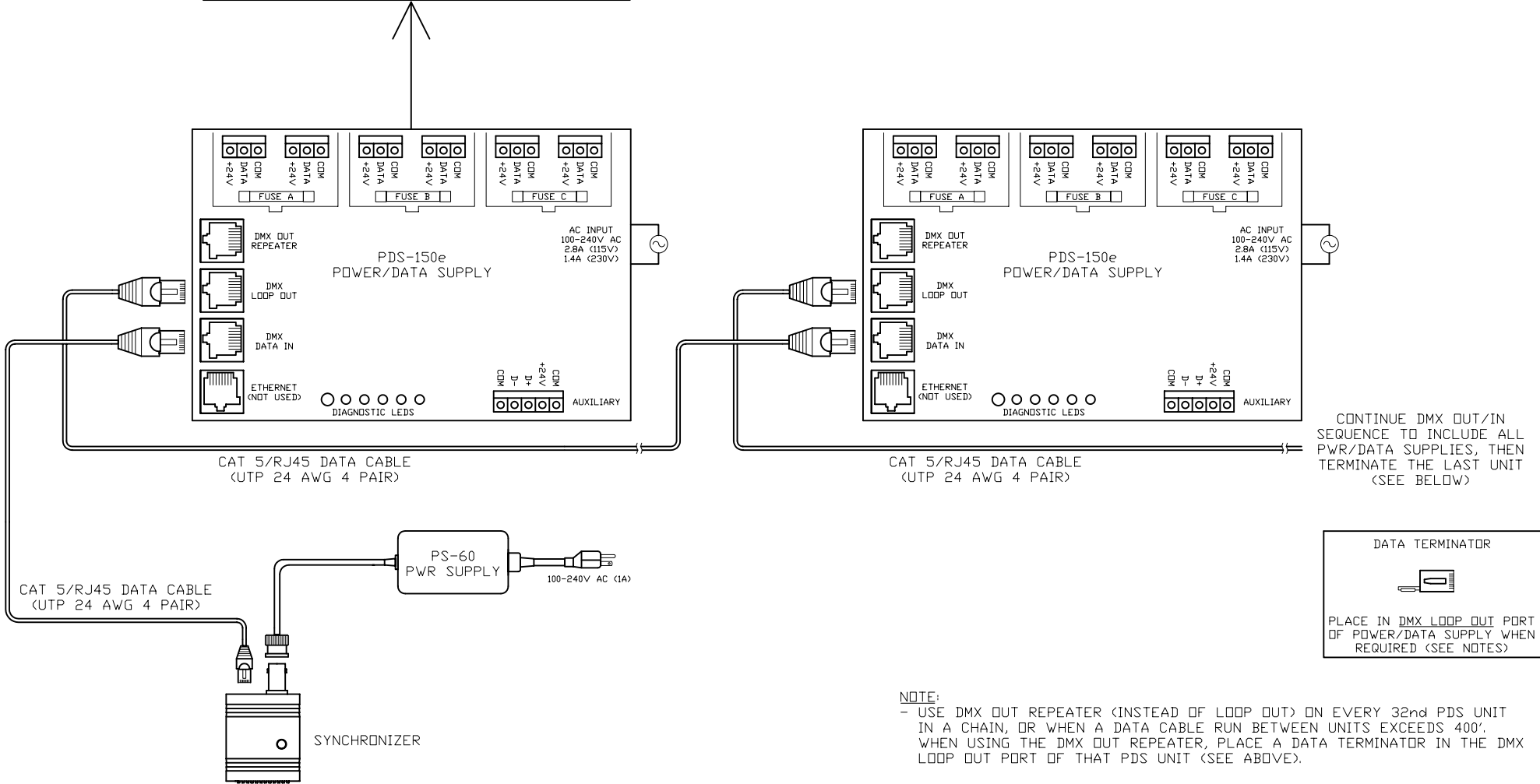



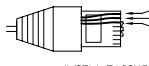

OUTPUT TO LIGHTS
REFER TO YOUR DLE DATA SHEET
FOR SPECIFIC WIRING DETAILS



CONTINUE DMX OUT/IN SEQUENCE TO INCLUDE ALL PWR/DATA SUPPLIES, THEN TERMINATE THE LAST UNIT (SEE BELOW)

DATA TERMINATOR

PLACE IN DMX LOOP OUT PORT OF POWER/DATA SUPPLY WHEN REQUIRED (SEE NOTES)

NOTE:
- USE DMX OUT REPEATER (INSTEAD OF LOOP OUT) ON EVERY 32nd PDS UNIT IN A CHAIN, OR WHEN A DATA CABLE RUN BETWEEN UNITS EXCEEDS 400'. WHEN USING THE DMX OUT REPEATER, PLACE A DATA TERMINATOR IN THE DMX LOOP OUT PORT OF THAT PDS UNIT (SEE ABOVE).

| | | | |
|--|--|--|---|
| <p>CAT-5/RJ45 PIN-OUT</p>  <p>(1) DATA - (2) DATA + (3) CDM</p> <p>(VIEW FACING PINS)</p> |  <p>COLOR KINETICS INCORPORATED 10 MILK STREET, SUITE 1100 BOSTON, MA 02108 888 FULL RGB 617 423 9999 WWW.COLORKINETICS.COM</p> <p>"FULL SPECTRUM DIGITAL LIGHTING"</p> | <p>TITLE: SYSTEM WIRING DIAGRAM (TYP)</p> <p>PRODUCTS: PDS-150e/SYNCHRONIZER/PS-60</p> | <p>DATE: DWG. BY: TC SCALE: NTS REV: PAGE: 1 OF 1</p> |
|--|--|--|---|