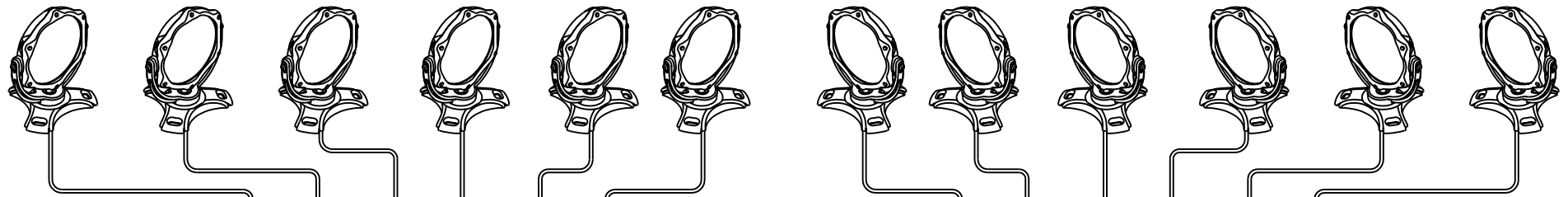
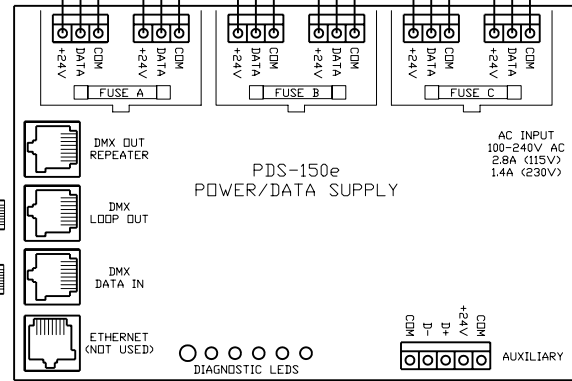
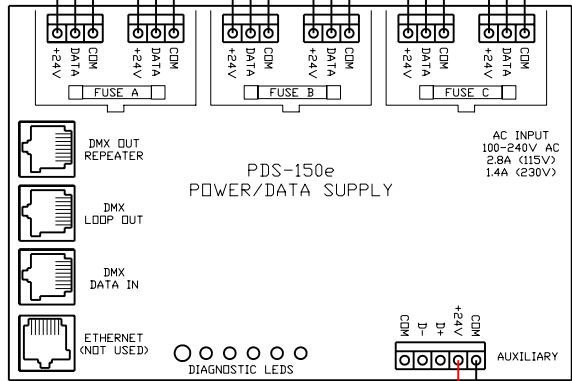


C-SPLASH 2 FIXTURES
(MAX. 6 PER PDS-150e)



60' POWER/DATA CABLES
(INCLUDED W/ FIXTURES-
DO NOT EXTEND)



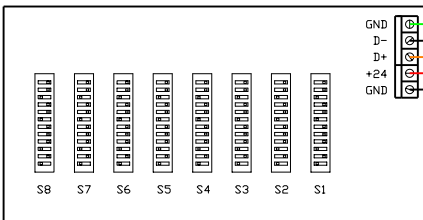
CAT 5/RJ45 DATA CABLE
(UTP 24 AWG 4 PAIR)

CAT 5/RJ45 DATA CABLE
(UTP 24 AWG 4 PAIR)

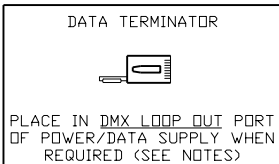
6' FLYING LEAD/RJ45
DATA CABLE
(OR SEE PIN-OUT BELOW
IF MAKING CABLES)

14-18 AWG LEADS (2)
(SUPPLIED BY EC - 50' MAX)

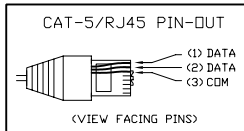
CONTINUE DMX OUT/IN
SEQUENCE TO INCLUDE ALL
PWR/DATA SUPPLIES, THEN
TERMINATE THE LAST UNIT
(SEE BELOW)



LEGEND:
 CHASSIS GROUND
 AC SOURCE



NOTE:
 - USE DMX OUT REPEATER (INSTEAD OF LOOP OUT) ON EVERY 32nd PDS UNIT
 IN A CHAIN, OR WHEN A DATA CABLE RUN BETWEEN UNITS EXCEEDS 100'.
 WHEN USING THE DMX OUT REPEATER, PLACE A DATA TERMINATOR IN THE DMX
 LOOP OUT PORT OF THAT PDS UNIT (SEE ABOVE).



TITLE: SYSTEM WIRING DIAGRAM (TYP)	DATE:
PRODUCTS: CSPLASH 2/PDS-150e/ MULTI SYNCHRONIZER	DWG. BY: BS
	SCALE: NTS
	REV:
	PAGE: 1 OF 1