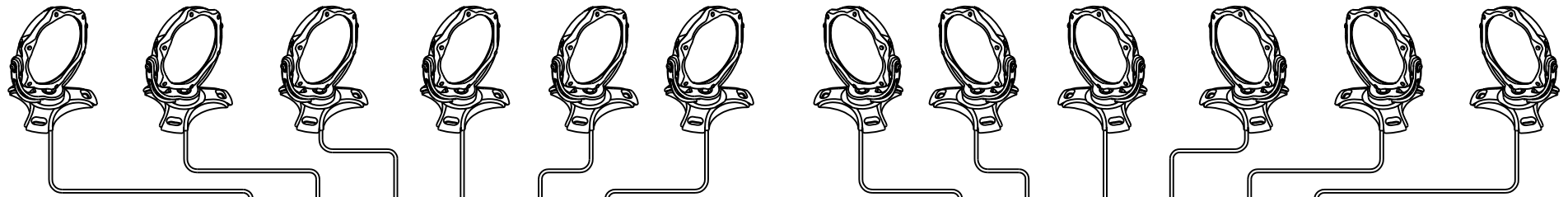
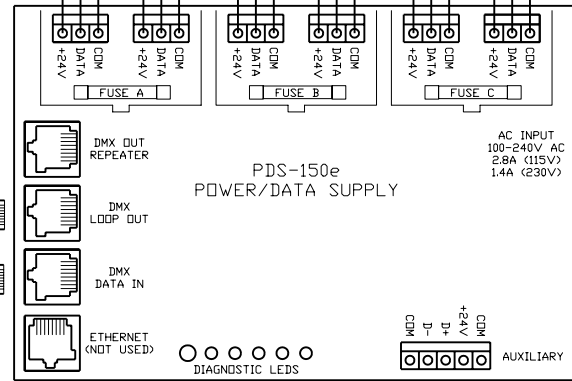
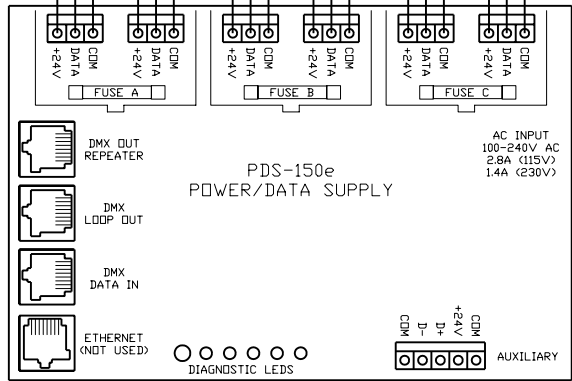


C-SPLASH 2 FIXTURES
(MAX. 6 PER PDS-150e)



60' POWER/DATA CABLES
(INCLUDED W/ FIXTURES-
DO NOT EXTEND)

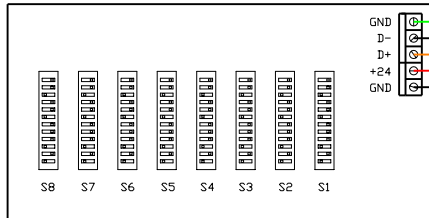


CAT 5/RJ45 DATA CABLE
(UTP 24 AWG 4 PAIR)

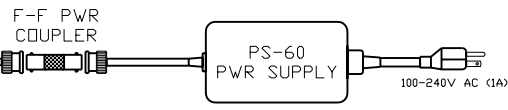
CAT 5/RJ45 DATA CABLE
(UTP 24 AWG 4 PAIR)

CONTINUE DMX OUT/IN
SEQUENCE TO INCLUDE ALL
PWR/DATA SUPPLIES, THEN
TERMINATE THE LAST UNIT
(SEE BELOW)

6' FLYING LEAD/RJ45 DATA CABLE
(OR SEE PIN-OUT BELOW IF MAKING CABLES)



MULTISYNCHRONIZER
(BACK VIEW)

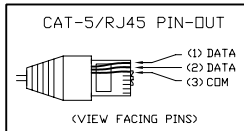


LEGEND:
 CHASSIS GROUND
 AC SOURCE

DATA TERMINATOR
 PLACE IN DMX LOOP OUT PORT
OF POWER/DATA SUPPLY WHEN
REQUIRED (SEE NOTES)

NOTE:

- USE DMX OUT REPEATER (INSTEAD OF LOOP OUT) ON EVERY 32nd PDS UNIT IN A CHAIN, OR WHEN A DATA CABLE RUN BETWEEN UNITS EXCEEDS 100'. WHEN USING THE DMX OUT REPEATER, PLACE A DATA TERMINATOR IN THE DMX LOOP OUT PORT OF THAT PDS UNIT (SEE ABOVE).



COLOR KINETICS INCORPORATED
10 MILK STREET, SUITE 1100
BOSTON, MA 02108
888 FULL RGB
617 423 9999
WWW.COLORKINETICS.COM
"FULL SPECTRUM DIGITAL LIGHTING"

TITLE:
SYSTEM WIRING DIAGRAM (TYP)
PRODUCTS:
CSPLASH 2/PDS-150e/
MULTISYNCHRONIZER/PS-60

DATE:
DWG. BY: BS
SCALE: NTS
REV:
PAGE: 1 OF 1