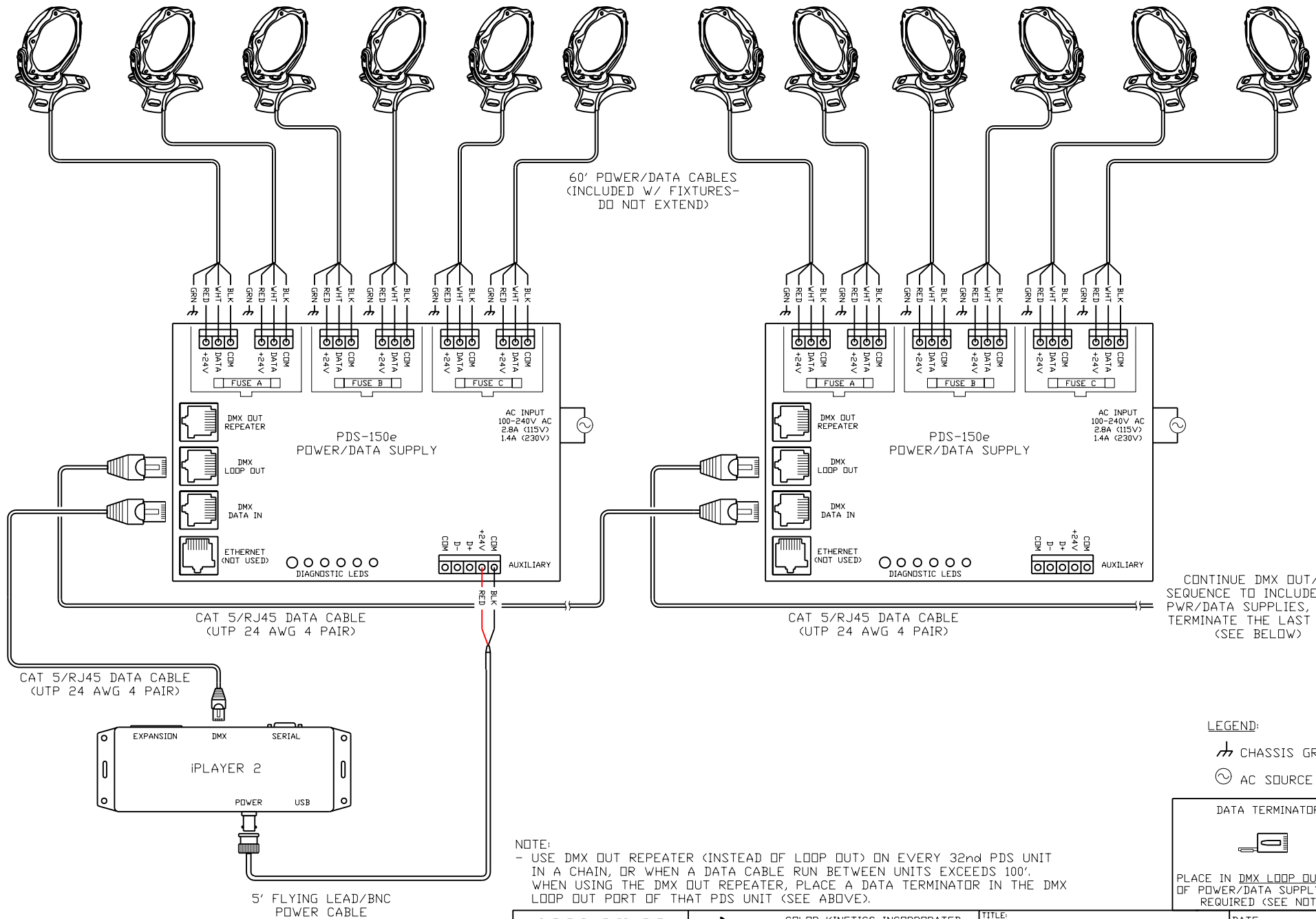


C-SPLASH 2 FIXTURES
(MAX. 6 PER PDS-150e)



CONTINUE DMX OUT/IN
SEQUENCE TO INCLUDE ALL
PWR/DATA SUPPLIES, THEN
TERMINATE THE LAST UNIT
(SEE BELOW)

LEGEND:

CHASSIS GROUND

AC SOURCE

DATA TERMINATOR

PLACE IN DMX LOOP OUT PORT
OF POWER/DATA SUPPLY WHEN
REQUIRED (SEE NOTES)

NOTE:

- USE DMX OUT REPEATER (INSTEAD OF LOOP OUT) ON EVERY 32nd PDS UNIT IN A CHAIN, OR WHEN A DATA CABLE RUN BETWEEN UNITS EXCEEDS 100'. WHEN USING THE DMX OUT REPEATER, PLACE A DATA TERMINATOR IN THE DMX LOOP OUT PORT OF THAT PDS UNIT (SEE ABOVE).

<p>CAT-5/RJ45 PIN-OUT</p> <p>(1) DATA - (2) DATA + (3) CDM</p> <p>(VIEW FACING PINS)</p>	<p>COLOR KINETICS INCORPORATED 10 MILK STREET, SUITE 1100 BOSTON, MA 02108 888 FULL RGB 617 423 9999 WWW.COLORKINETICS.COM</p> <p>"FULL SPECTRUM DIGITAL LIGHTING"</p>	<p>TITLE: SYSTEM WIRING DIAGRAM (TYP)</p> <p>PRODUCTS: CSPLASH 2/PDS-150e/IPLAYER 2</p>	<p>DATE:</p> <p>DWG. BY: BS</p> <p>SCALE: NTS</p> <p>REV:</p> <p>PAGE: 1 OF 1</p>
--	--	---	---