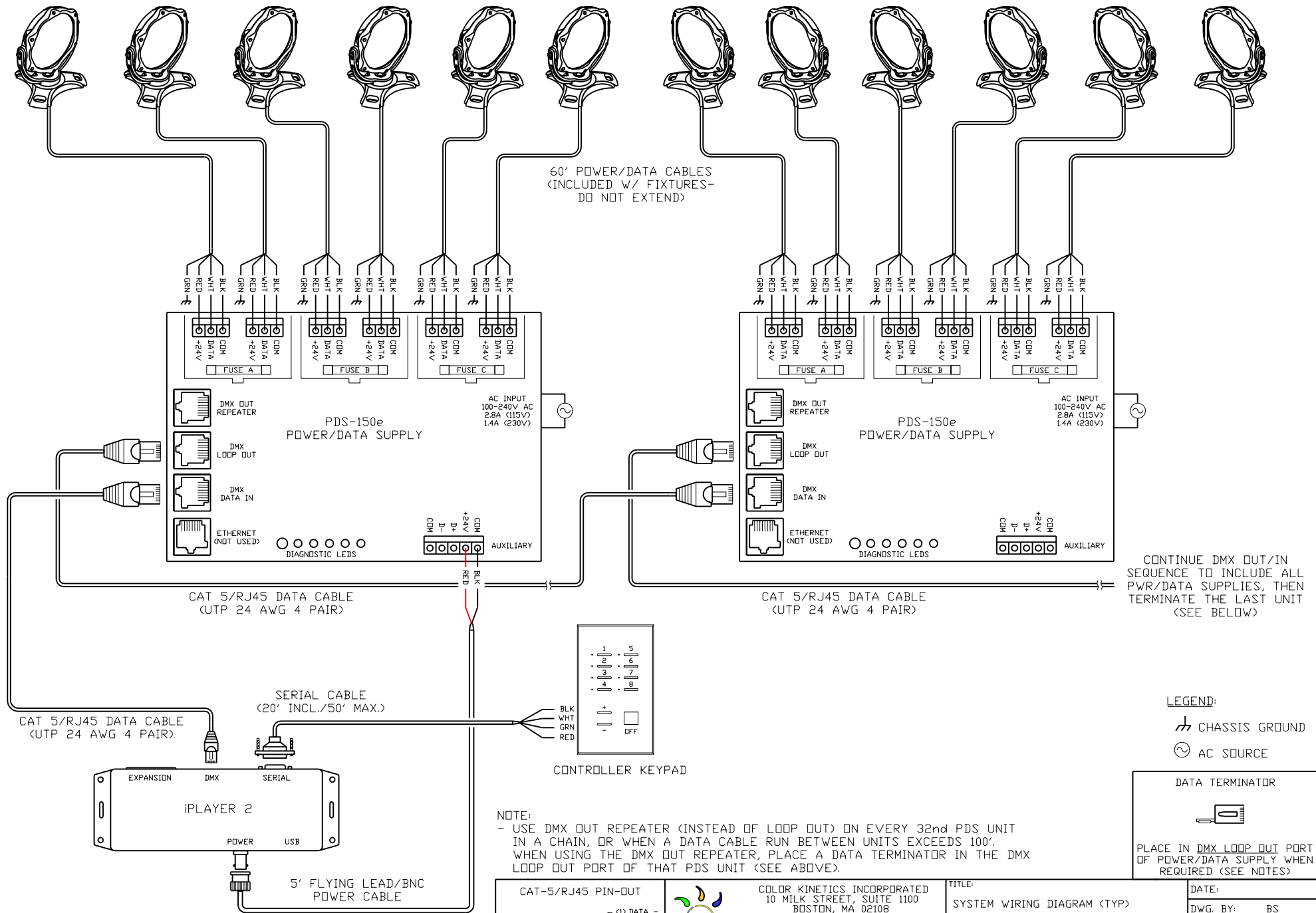


C-SPLASH 2 FIXTURES
(MAX. 6 PER PDS-150e)

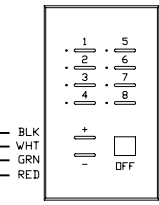


60' POWER/DATA CABLES
(INCLUDED W/ FIXTURES-
DO NOT EXTEND)

CAT 5/RJ45 DATA CABLE
(UTP 24 AWG 4 PAIR)

CAT 5/RJ45 DATA CABLE
(UTP 24 AWG 4 PAIR)

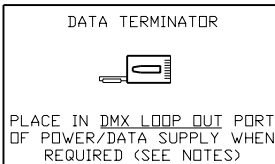
CONTINUE DMX OUT/IN
SEQUENCE TO INCLUDE ALL
PWR/DATA SUPPLIES, THEN
TERMINATE THE LAST UNIT
(SEE BELOW)



CONTROLLER KEYPAD

NOTE:
- USE DMX OUT REPEATER (INSTEAD OF LOOP OUT) ON EVERY 32nd PDS UNIT
IN A CHAIN, OR WHEN A DATA CABLE RUN BETWEEN UNITS EXCEEDS 100'.
WHEN USING THE DMX OUT REPEATER, PLACE A DATA TERMINATOR IN THE DMX
LOOP OUT PORT OF THAT PDS UNIT (SEE ABOVE).

LEGEND:
⏏ CHASSIS GROUND
⚡ AC SOURCE



<p>CAT-5/RJ45 PIN-OUT</p> <p>(1) DATA - (2) DATA + (3) CDM</p> <p>(VIEW FACING PINS)</p>	<p>COLOR KINETICS INCORPORATED 10 MILK STREET, SUITE 1100 BOSTON, MA 02108 888 FULL RGB 617 423 9999 WWW.COLORKINETICS.COM</p> <p>*FULL SPECTRUM DIGITAL LIGHTING*</p>	<p>TITLE: SYSTEM WIRING DIAGRAM (TYP)</p> <p>PRODUCTS: CSPLASH 2/PDS-150e/IPLAYER 2/ CONTROLLER KEYPAD</p>	<p>DATE:</p> <p>DWG. BY: BS</p> <p>SCALE: NTS</p> <p>REV:</p> <p>PAGE: 1 OF 1</p>
--	--	--	---