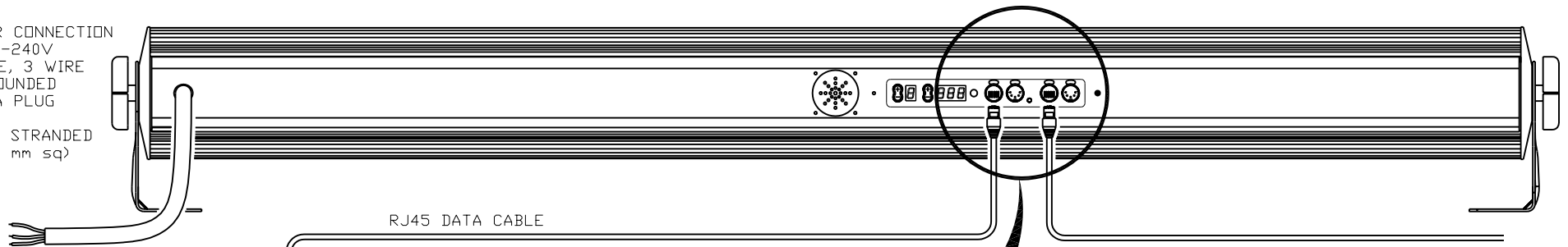


**AC POWER CONNECTION**

100-240V  
2 POLE, 3 WIRE  
GROUNDED  
15A PLUG

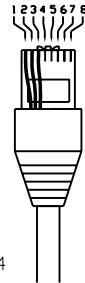
18 AWG STRANDED  
(0.82 mm sq)



RJ45 DATA CABLE

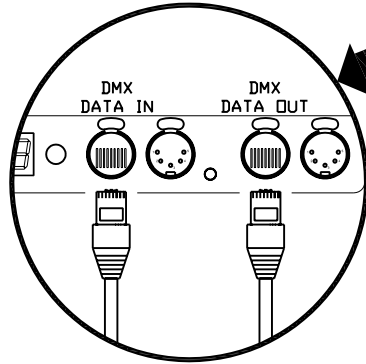
DATA CABLE OUT TO NEXT  
FIXTURE IN SEQUENCE TO  
INCLUDE ALL FIXTURES IN  
CHAIN, THEN TERMINATE THE  
LAST.  
(SEE NOTES)

PIN 1 DATA -  
PIN 2 DATA +  
PIN 3 SHIELD



RJ45 8-PIN  
(VIEW FACING  
PINS)

DATA CABLE  
(CAT-5 UTP 24AWG 4  
PAIR)



DETAIL

**U.S.**  
LINE - BLACK  
NEUTRAL - WHITE  
GROUND - GREEN / YELLOW

**EUROPE**  
LINE - BROWN  
NEUTRAL - BLUE  
GROUND - GREEN / YELLOW

RJ45 DATA CABLE  
FROM CONTROLLER  
TO DATA IN

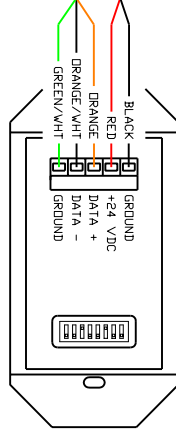
5' FLYING LEAD/BNC  
POWER CABLE

F-F BNC  
PWR  
COUPLER

PS-60  
PWR SUPPLY

100-240VAC (1A)


COLORDIAL  
(BACK VIEW)



CONTROLS UP  
TO 60 UNIQUE  
INDIVIDUAL  
ADDRESSES

**NOTES:**

1. REFER TO DRAWING FILE CBZ48-72.DWG FOR COMPLETE WIRING DETAILS.
2. PLACE TERMINATOR IN DMX DATA OUT PORT OF THE LAST FIXTURE IN A CHAIN.
3. MAXIMUM DMX DATA RUN FROM DMX SOURCE TO LASTFIXTURE IN CHAIN IS 1000 FEET (OR 300 m).
4. DMX DATA CHAINS NEED NOT BE CONNECTOR SPECIFIC, FOR EXAMPLE: XLR-5 INPUT WITH RJ45 OUTPUT AND VICE VERSA. SEE DETAIL C.
5. FOLLOW PROPER DMX WIRING METHODS AS OUTLINED BY USITT AND PLASA.

 <p>COLOR KINETICS INCORPORATED 10 MILK STREET, SUITE 1100 BOSTON, MA 02108 888 FULL RGB 617 423 9999 WWW.COLORKINETICS.COM</p>	<p>TITLE: SYSTEM WIRING DIAGRAM (TYP)</p>	<p>DATE:</p>
	<p>PRODUCTS: COLORBLAZE/COLORDIAL/PS60</p>	<p>DWG. BY: CF</p>
<p>"FULL SPECTRUM DIGITAL LIGHTING"</p>	<p>SCALE: NTS</p>	<p>REV:</p>
	<p>PAGE: 1 OF 1</p>	