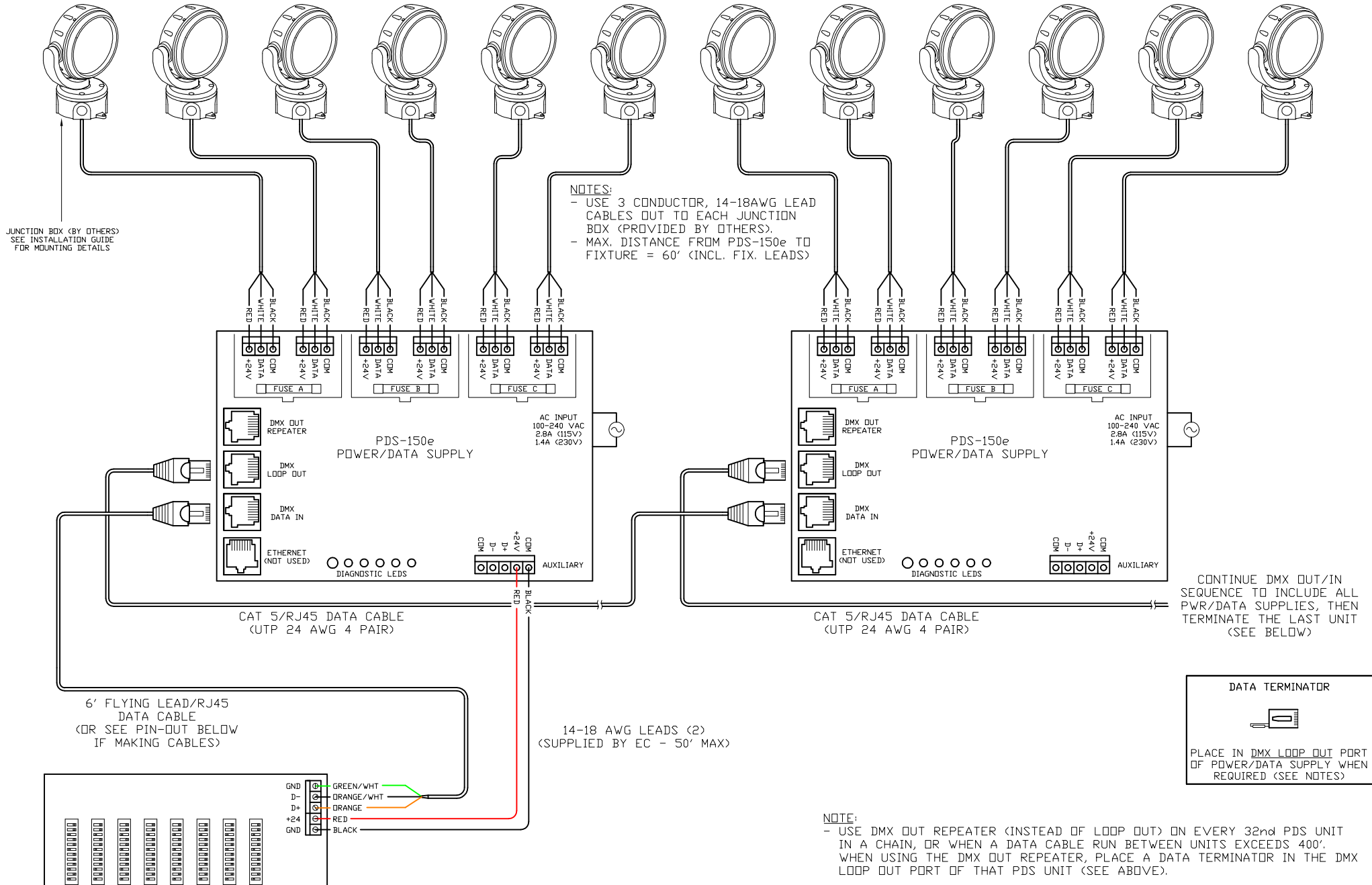


COLORBURST 6 FIXTURES  
(MAX. 6 PER PDS-150e)




**NOTES:**  
 - USE 3 CONDUCTOR, 14-18AWG LEAD CABLES OUT TO EACH JUNCTION BOX (PROVIDED BY OTHERS).  
 - MAX. DISTANCE FROM PDS-150e TO FIXTURE = 60' (INCL. FIX. LEADS)

JUNCTION BOX (BY OTHERS)  
SEE INSTALLATION GUIDE FOR MOUNTING DETAILS

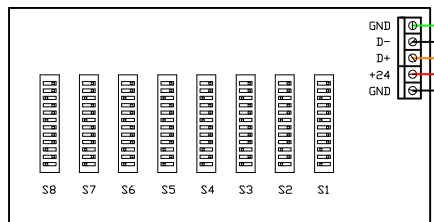
CONTINUE DMX OUT/IN SEQUENCE TO INCLUDE ALL PWR/DATA SUPPLIES, THEN TERMINATE THE LAST UNIT (SEE BELOW)

**DATA TERMINATOR**

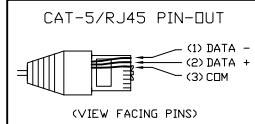


PLACE IN DMX LOOP OUT PORT OF POWER/DATA SUPPLY WHEN REQUIRED (SEE NOTES)

**NOTE:**  
 - USE DMX OUT REPEATER (INSTEAD OF LOOP OUT) ON EVERY 32nd PDS UNIT IN A CHAIN, OR WHEN A DATA CABLE RUN BETWEEN UNITS EXCEEDS 400'. WHEN USING THE DMX OUT REPEATER, PLACE A DATA TERMINATOR IN THE DMX LOOP OUT PORT OF THAT PDS UNIT (SEE ABOVE).



MULTISYNCHRONIZER  
(BACK VIEW)



COLOR KINETICS INCORPORATED  
 10 MILK STREET, SUITE 1100  
 BOSTON, MA 02108  
 888 FULL RGB  
 617 423 9999  
[www.COLORKINETICS.COM](http://www.COLORKINETICS.COM)  
 \*FULL SPECTRUM DIGITAL LIGHTING\*

TITLE: SYSTEM WIRING DIAGRAM (TYP)	DATE:
PRODUCTS: COLORBURST 6/PDS-150e/ MULTISYNCHRONIZER	DWG. BY: TC
	SCALE: NTS
	REV:
	PAGE: 1 OF 1