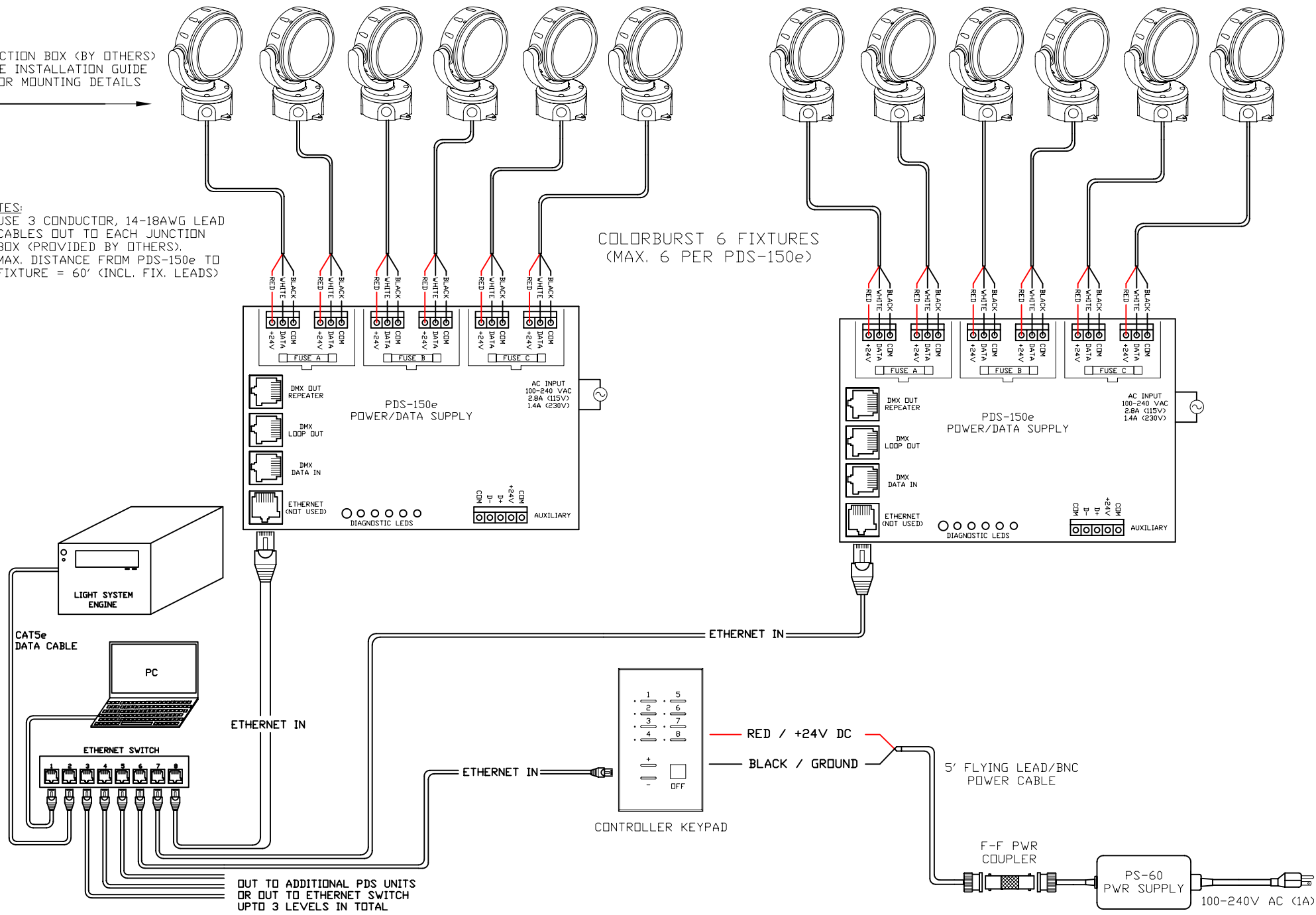



JUNCTION BOX (BY OTHERS)  
SEE INSTALLATION GUIDE  
FOR MOUNTING DETAILS

- NOTES:**
- USE 3 CONDUCTOR, 14-18AWG LEAD CABLES OUT TO EACH JUNCTION BOX (PROVIDED BY OTHERS).
  - MAX. DISTANCE FROM PDS-150e TO FIXTURE = 60' (INCL. FIX. LEADS)

COLORBURST 6 FIXTURES  
(MAX. 6 PER PDS-150e)



OUT TO ADDITIONAL PDS UNITS  
OR OUT TO ETHERNET SWITCH  
UP TO 3 LEVELS IN TOTAL

|   |  |                                       |                      |
|---|--|---------------------------------------|----------------------|
|  | COLOR KINETICS INCORPORATED<br>10 MILK STREET, SUITE 1100<br>BOSTON, MA 02108<br>888 FULL RGB<br>617 423 9999<br>WWW.COLORKINETICS.COM | TITLE:<br>SYSTEM WIRING DIAGRAM (TYP) | DATE:<br>DWG. BY: TC |
|   | PRODUCTS:<br>COLORBURST 6/PDS-150e/LSM/ECK/<br>PS-60   | SCALE: NTS                            | REV:                 |
|   | 'FULL SPECTRUM DIGITAL LIGHTING'   | PAGE: 1 OF 1                          |                      |
|   |  |                                       |                      |