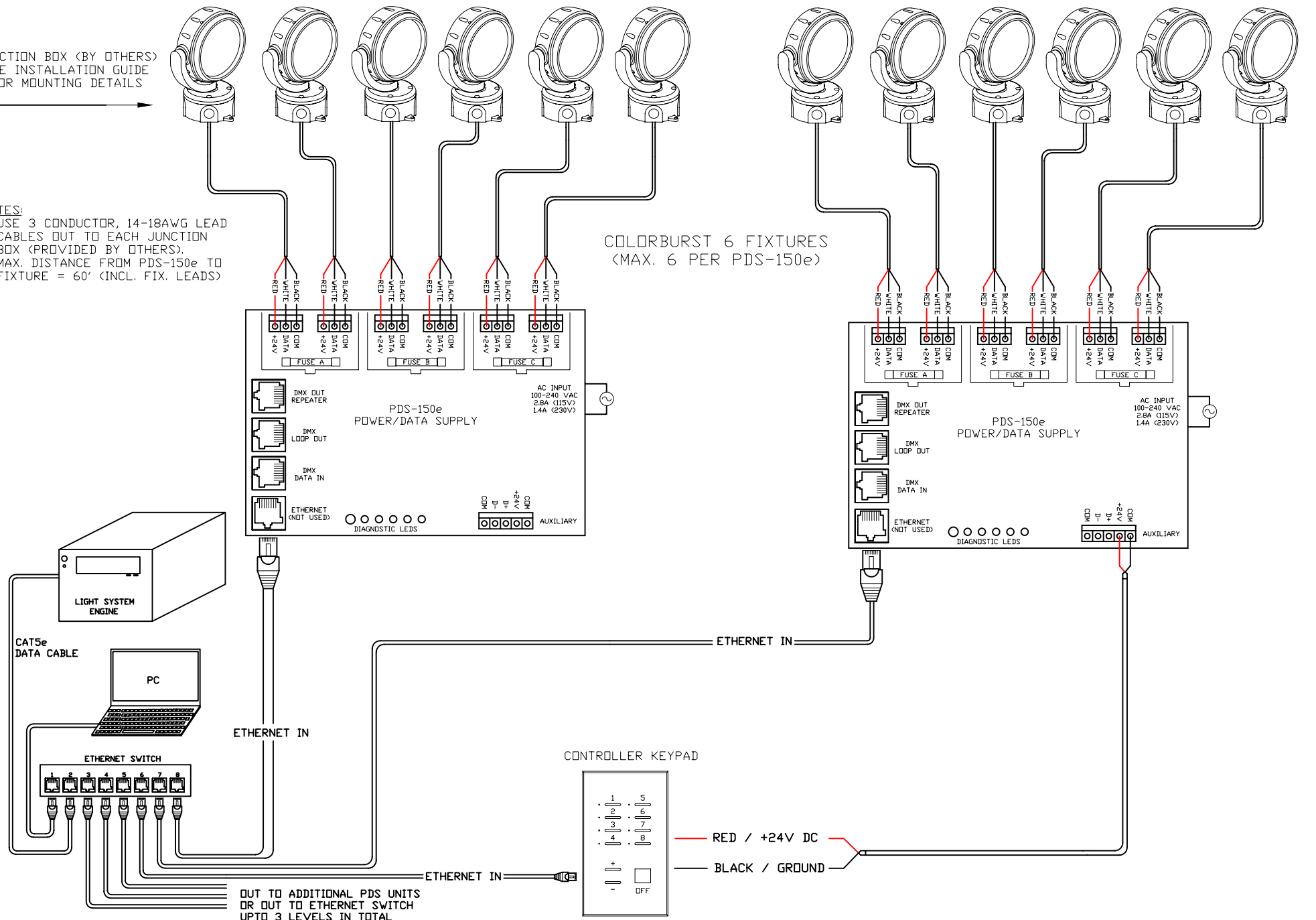



JUNCTION BOX (BY OTHERS)
SEE INSTALLATION GUIDE
FOR MOUNTING DETAILS

- NOTES:**
- USE 3 CONDUCTOR, 14-18AWG LEAD CABLES OUT TO EACH JUNCTION BOX (PROVIDED BY OTHERS).
 - MAX. DISTANCE FROM PDS-150e TO FIXTURE = 60' (INCL. FIX. LEADS)

COLORBURST 6 FIXTURES
(MAX. 6 PER PDS-150e)



OUT TO ADDITIONAL PDS UNITS
OR OUT TO ETHERNET SWITCH
UPTO 3 LEVELS IN TOTAL

 <p>COLOR KINETICS INCORPORATED 10 MILK STREET, SUITE 1100 BOSTON, MA 02108 888 FULL RGB 617 423 9999 WWW.COLORKINETICS.COM</p>	TITLE: SYSTEM WIRING DIAGRAM (TYP)	DATE:
	PRODUCTS: COLORBURST 6/PDS-150e/LSM/ECK/ PDS-150e	DWG. BY: TC
		SCALE: NTS
		REV: 1 OF 1