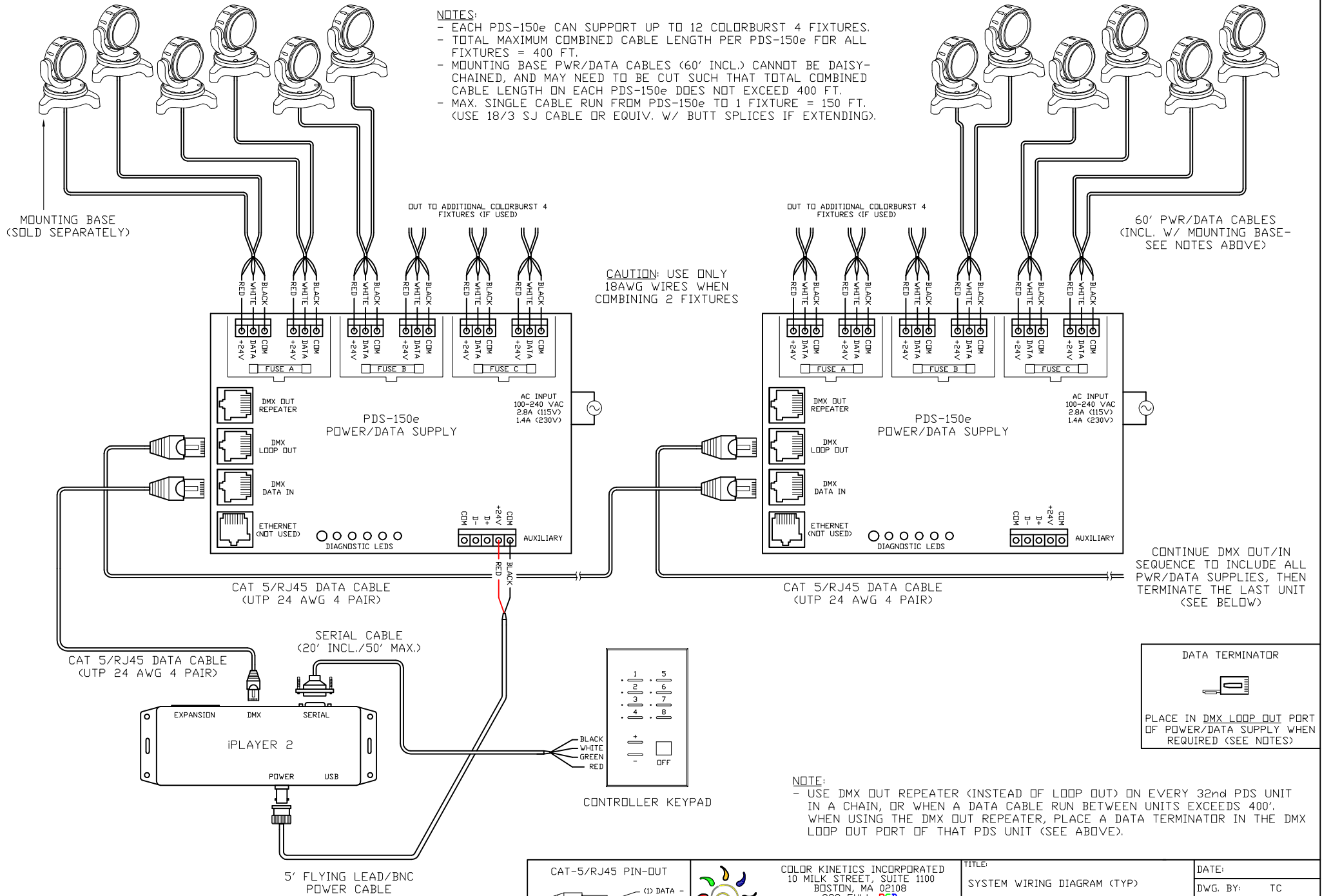


COLORBURST 4 FIXTURES
w/ OPTIONAL MOUNTING BASE
(MAX. 12 PER PDS-150e)

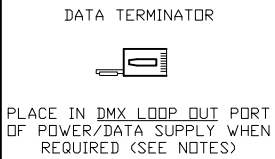
NOTES:

- EACH PDS-150e CAN SUPPORT UP TO 12 COLORBURST 4 FIXTURES.
- TOTAL MAXIMUM COMBINED CABLE LENGTH PER PDS-150e FOR ALL FIXTURES = 400 FT.
- MOUNTING BASE PWR/DATA CABLES (60' INCL.) CANNOT BE DAISY-CHAINED, AND MAY NEED TO BE CUT SUCH THAT TOTAL COMBINED CABLE LENGTH ON EACH PDS-150e DOES NOT EXCEED 400 FT.
- MAX. SINGLE CABLE RUN FROM PDS-150e TO 1 FIXTURE = 150 FT. (USE 18/3 SJ CABLE OR EQUIV. W/ BUTT SPLICES IF EXTENDING).

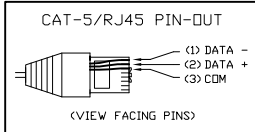


CAUTION: USE ONLY 18AWG WIRES WHEN COMBINING 2 FIXTURES

CONTINUE DMX OUT/IN SEQUENCE TO INCLUDE ALL PWR/DATA SUPPLIES, THEN TERMINATE THE LAST UNIT (SEE BELOW)



NOTE:
- USE DMX OUT REPEATER (INSTEAD OF LOOP OUT) ON EVERY 32nd PDS UNIT IN A CHAIN, OR WHEN A DATA CABLE RUN BETWEEN UNITS EXCEEDS 400'. WHEN USING THE DMX OUT REPEATER, PLACE A DATA TERMINATOR IN THE DMX LOOP OUT PORT OF THAT PDS UNIT (SEE ABOVE).



COLOR KINETICS INCORPORATED
10 MILK STREET, SUITE 1100
BOSTON, MA 02108
888 FULL RGB
617 423 9999
www.COLORKINETICS.COM

FULL SPECTRUM DIGITAL LIGHTING

TITLE: SYSTEM WIRING DIAGRAM (TYP)	DATE:
PRODUCTS: COLORBURST 4/MNT. BASE/PDS-150e/ iPLAYER 2/CONTROLLER KEYPAD	DWG. BY: TC
	SCALE: NTS
	REV:
	PAGE: 1 OF 1