

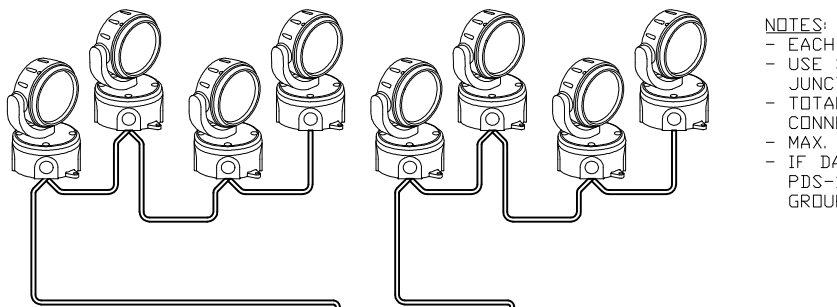
DAISY-CHAIN WIRING METHOD

COLORBURST 4 FIXTURES  
(MAX. 12 PER PDS-150e)

HOME-RUN WIRING METHOD

NOTES:

- EACH PDS-150e CAN SUPPORT UP TO 12 COLORBURST 4 FIXTURES.
- USE 3 CONDUCTOR, 14-18AWG LEAD CABLES FROM PDS-150e TO EACH JUNCTION BOX, OR BETWEEN JUNCTION BOXES (PROVIDED BY OTHERS).
- TOTAL MAXIMUM COMBINED CABLE LENGTH PER PDS-150e FOR ALL CONNECTED FIXTURES = 400 FT. (HOME RUNS OR DAISY CHAINED).
- MAX. SINGLE CABLE RUN FROM PDS-150e TO 1 FIXTURE = 150 FT.
- IF DAISY CHAINING FIXTURES, MAX. TOTAL CABLE RUN LENGTH FROM PDS-150e TO LAST FIXTURE IN CHAIN (MAX 4 FIXTURES PER FUSE GROUP) = 50 FT.



MAX. DISTANCE FROM PDS-150e TO END OF CHAIN = 50' (MAX. 4 FIXTURES)

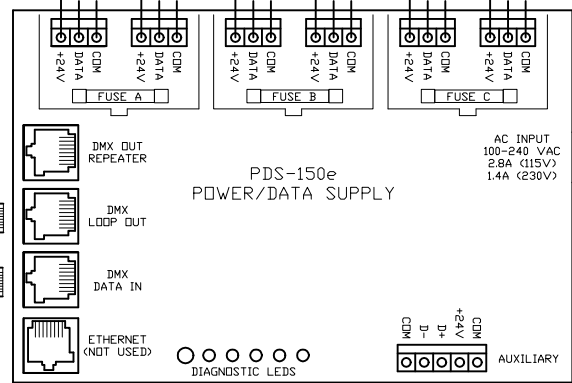
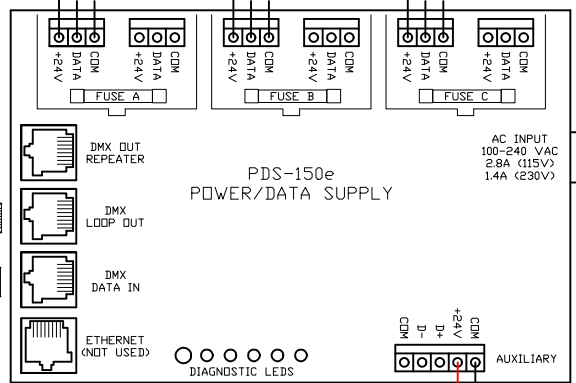
CAUTION: CONNECT ONLY 1 4-FIXTURE CHAIN TO A FUSE GROUP

OUT TO ADDITIONAL COLORBURST 4 FIXTURE CHAIN (IF USED)

CAUTION: USE ONLY 18AWG WIRES WHEN COMBINING 2 FIXTURES

OUT TO ADDITIONAL COLORBURST 4 FIXTURES (IF USED)

JUNCTION BOX (BY OTHERS) SEE INSTALLATION GUIDE FOR MOUNTING DETAILS



CAT 5/RJ45 DATA CABLE  
(UTP 24 AWG 4 PAIR)

CAT 5/RJ45 DATA CABLE  
(UTP 24 AWG 4 PAIR)

CONTINUE DMX OUT/IN SEQUENCE TO INCLUDE ALL PWR/DATA SUPPLIES, THEN TERMINATE THE LAST UNIT (SEE BELOW)

6' FLYING LEAD/RJ45 DATA CABLE  
(OR SEE PIN-OUT BELOW IF MAKING CABLES)

14-18 AWG LEADS (2)  
(SUPPLIED BY EC - 50' MAX)

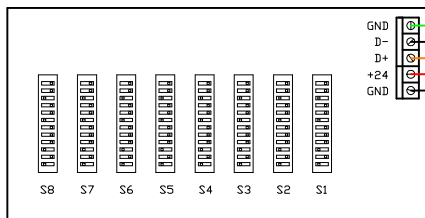
DATA TERMINATOR



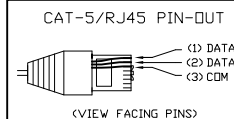
PLACE IN DMX LOOP OUT PORT OF PWR/DATA SUPPLY WHEN REQUIRED (SEE NOTES)

NOTE:

- USE DMX OUT REPEATER (INSTEAD OF LOOP OUT) ON EVERY 32nd PDS UNIT IN A CHAIN, OR WHEN A DATA CABLE RUN BETWEEN UNITS EXCEEDS 400'. WHEN USING THE DMX OUT REPEATER, PLACE A DATA TERMINATOR IN THE DMX LOOP OUT PORT OF THAT PDS UNIT (SEE ABOVE).



MULTISYNCHRONIZER  
(BACK VIEW)



(VIEW FACING PINS)



COLOR KINETICS INCORPORATED  
10 MILK STREET, SUITE 1100  
BOSTON, MA 02108  
888 FULL RGB  
617 423 9999  
www.COLORKINETICS.COM

\*FULL SPECTRUM DIGITAL LIGHTING\*

TITLE:  
SYSTEM WIRING DIAGRAM (TYP)

PRODUCTS:  
COLORBURST 4/PDS-150e/  
MULTISYNCHRONIZER

DATE:  
DWG. BY: TC  
SCALE: NTS  
REV:  
PAGE: 1 OF 1