

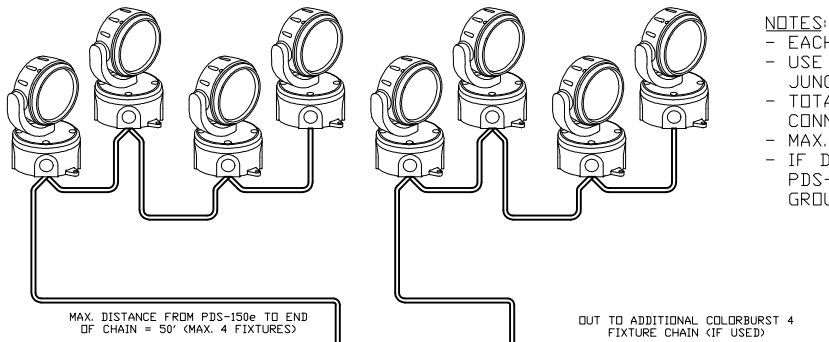
DAISY-CHAIN WIRING METHOD

COLORBURST 4 FIXTURES  
(MAX. 12 PER PDS-150e)

HOME-RUN WIRING METHOD

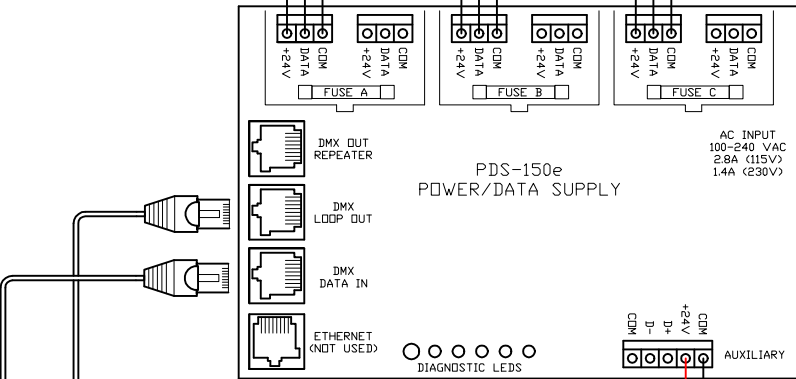
NOTES:

- EACH PDS-150e CAN SUPPORT UP TO 12 COLORBURST 4 FIXTURES.
- USE 3 CONDUCTOR, 14-18AWG LEAD CABLES FROM PDS-150e TO EACH JUNCTION BOX, OR BETWEEN JUNCTION BOXES (PROVIDED BY OTHERS).
- TOTAL MAXIMUM COMBINED CABLE LENGTH PER PDS-150e FOR ALL CONNECTED FIXTURES = 400 FT. (HOME RUNS OR DAISY CHAINED).
- MAX. SINGLE CABLE RUN FROM PDS-150e TO 1 FIXTURE = 150 FT.
- IF DAISY CHAINING FIXTURES, MAX. TOTAL CABLE RUN LENGTH FROM PDS-150e TO LAST FIXTURE IN CHAIN (MAX 4 FIXTURES PER FUSE GROUP) = 50 FT.



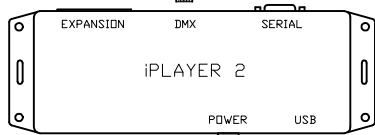
CAUTION: CONNECT ONLY 1 4-FIXTURE CHAIN TO A FUSE GROUP

CAUTION: USE ONLY 18AWG WIRES WHEN COMBINING 2 FIXTURES

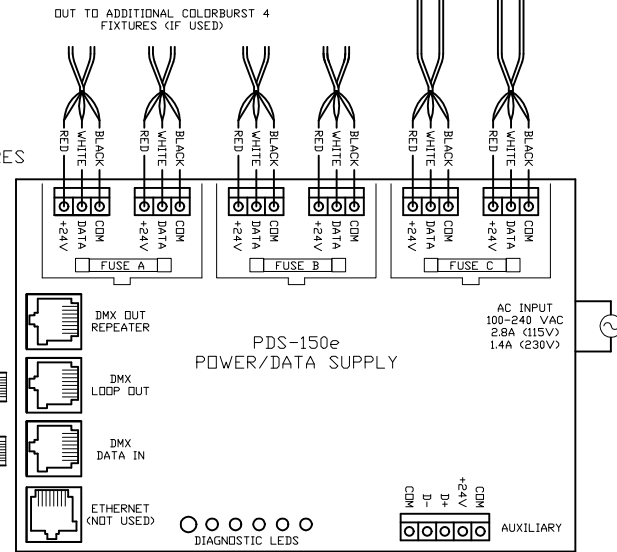


CAT 5/RJ45 DATA CABLE (UTP 24 AWG 4 PAIR)

CAT 5/RJ45 DATA CABLE (UTP 24 AWG 4 PAIR)

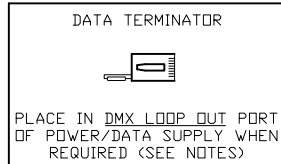


5' FLYING LEAD/BNC POWER CABLE



CAT 5/RJ45 DATA CABLE (UTP 24 AWG 4 PAIR)

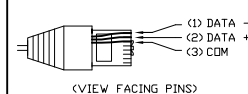
CONTINUE DMX OUT/IN SEQUENCE TO INCLUDE ALL PWR/DATA SUPPLIES, THEN TERMINATE THE LAST UNIT (SEE BELOW)



NOTE:

- USE DMX OUT REPEATER (INSTEAD OF LOOP OUT) ON EVERY 32nd PDS UNIT IN A CHAIN, OR WHEN A DATA CABLE RUN BETWEEN UNITS EXCEEDS 400'. WHEN USING THE DMX OUT REPEATER, PLACE A DATA TERMINATOR IN THE DMX LOOP OUT PORT OF THAT PDS UNIT (SEE ABOVE).

CAT-5/RJ45 PIN-OUT



COLOR KINETICS INCORPORATED  
10 MILK STREET, SUITE 1100  
BOSTON, MA 02108  
888 FULL RGB  
617 423 9999  
www.COLORKINETICS.COM

\*FULL SPECTRUM DIGITAL LIGHTING\*

TITLE:	SYSTEM WIRING DIAGRAM (TYP)
PRODUCTS:	COLORBURST 4/PDS-150e/iPLAYER 2

DATE:	
DWG. BY:	TC
SCALE:	NTS
REV:	
PAGE:	1 OF 1