

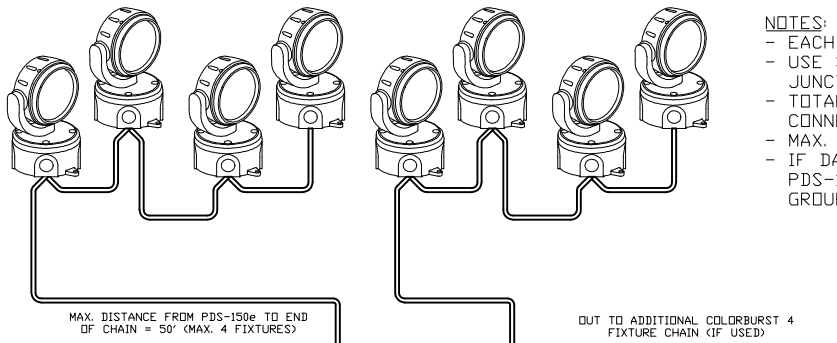
DAISY-CHAIN WIRING METHOD

COLORBURST 4 FIXTURES
(MAX. 12 PER PDS-150e)

HOME-RUN WIRING METHOD

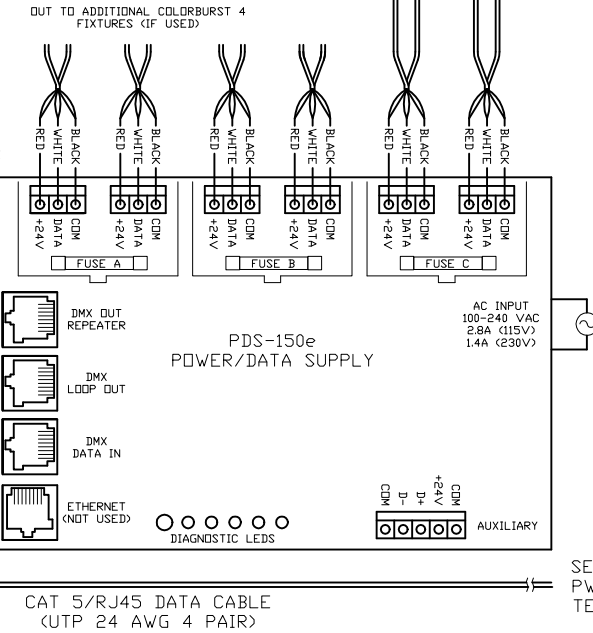
NOTES:

- EACH PDS-150e CAN SUPPORT UP TO 12 COLORBURST 4 FIXTURES.
- USE 3 CONDUCTOR, 14-18AWG LEAD CABLES FROM PDS-150e TO EACH JUNCTION BOX, OR BETWEEN JUNCTION BOXES (PROVIDED BY OTHERS).
- TOTAL MAXIMUM COMBINED CABLE LENGTH PER PDS-150e FOR ALL CONNECTED FIXTURES = 400 FT. (HOME RUNS OR DAISY CHAINED).
- MAX. SINGLE CABLE RUN FROM PDS-150e TO 1 FIXTURE = 150 FT.
- IF DAISY CHAINING FIXTURES, MAX. TOTAL CABLE RUN LENGTH FROM PDS-150e TO LAST FIXTURE IN CHAIN (MAX 4 FIXTURES PER FUSE GROUP) = 50 FT.



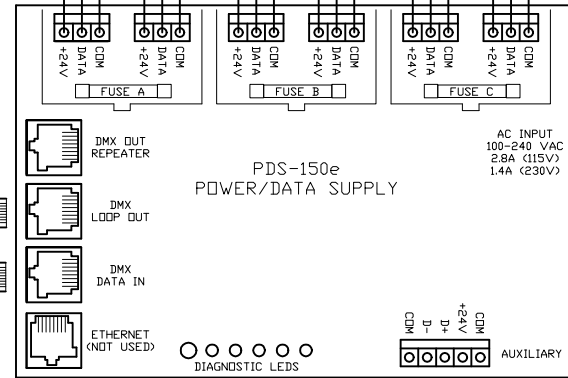
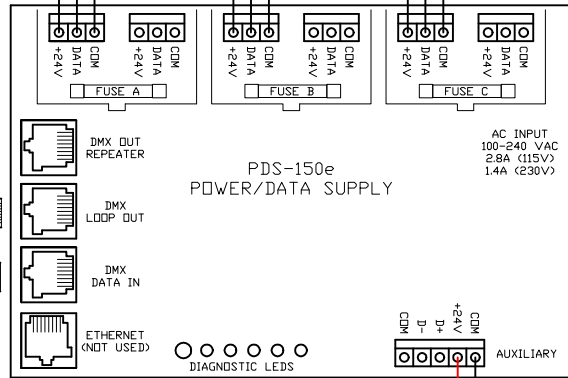
CAUTION: CONNECT ONLY 1 4-FIXTURE CHAIN TO A FUSE GROUP

CAUTION: USE ONLY 18AWG WIRES WHEN COMBINING 2 FIXTURES



JUNCTION BOX (BY OTHERS) SEE INSTALLATION GUIDE FOR MOUNTING DETAILS

CONTINUE DMX OUT/IN SEQUENCE TO INCLUDE ALL PWR/DATA SUPPLIES, THEN TERMINATE THE LAST UNIT (SEE BELOW)

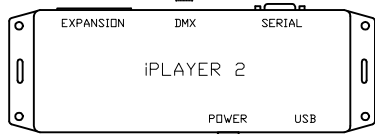


CAT 5/RJ45 DATA CABLE (UTP 24 AWG 4 PAIR)

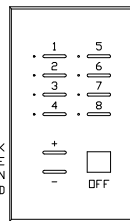
CAT 5/RJ45 DATA CABLE (UTP 24 AWG 4 PAIR)

CAT 5/RJ45 DATA CABLE (UTP 24 AWG 4 PAIR)

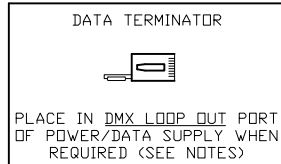
SERIAL CABLE (20' INCL./50' MAX.)



5' FLYING LEAD/BNC POWER CABLE

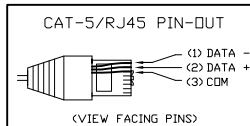


CONTROLLER KEYPAD



NOTE:

- USE DMX OUT REPEATER (INSTEAD OF LOOP OUT) ON EVERY 32nd PDS UNIT IN A CHAIN, OR WHEN A DATA CABLE RUN BETWEEN UNITS EXCEEDS 400'. WHEN USING THE DMX OUT REPEATER, PLACE A DATA TERMINATOR IN THE DMX LOOP OUT PORT OF THAT PDS UNIT (SEE ABOVE).



COLOR KINETICS INCORPORATED
10 MILK STREET, SUITE 1100
BOSTON, MA 02108
888 FULL RGB
617 423 9999
www.COLORKINETICS.COM

FULL SPECTRUM DIGITAL LIGHTING

TITLE:
SYSTEM WIRING DIAGRAM (TYP)

PRODUCTS:
COLORBURST 4/PDS-150e/iPLAYER 2/
CONTROLLER KEYPAD

DATE:
DWG. BY: TC
SCALE: NTS
REV:
PAGE: 1 OF 1