

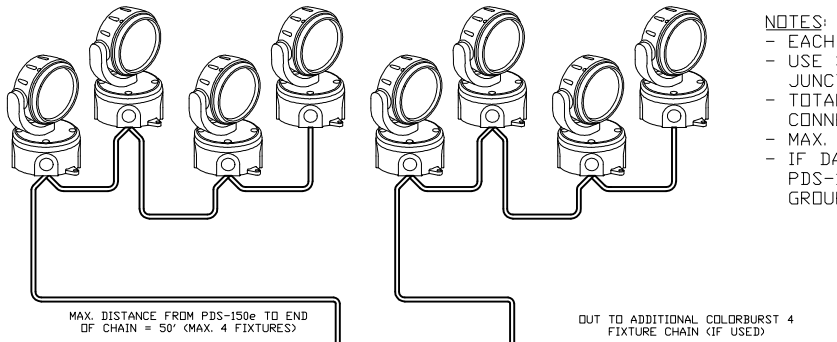
DAISY-CHAIN WIRING METHOD

COLORBURST 4 FIXTURES
(MAX. 12 PER PDS-150e)

HOME-RUN WIRING METHOD

NOTES:

- EACH PDS-150e CAN SUPPORT UP TO 12 COLORBURST 4 FIXTURES.
- USE 3 CONDUCTOR, 14-18AWG LEAD CABLES FROM PDS-150e TO EACH JUNCTION BOX, OR BETWEEN JUNCTION BOXES (PROVIDED BY OTHERS).
- TOTAL MAXIMUM COMBINED CABLE LENGTH PER PDS-150e FOR ALL CONNECTED FIXTURES = 400 FT. (HOME RUNS OR DAISY CHAINED).
- MAX. SINGLE CABLE RUN FROM PDS-150e TO 1 FIXTURE = 150 FT.
- IF DAISY CHAINING FIXTURES, MAX. TOTAL CABLE RUN LENGTH FROM PDS-150e TO LAST FIXTURE IN CHAIN (MAX 4 FIXTURES PER FUSE GROUP) = 50 FT.



MAX. DISTANCE FROM PDS-150e TO END OF CHAIN = 50' (MAX. 4 FIXTURES)

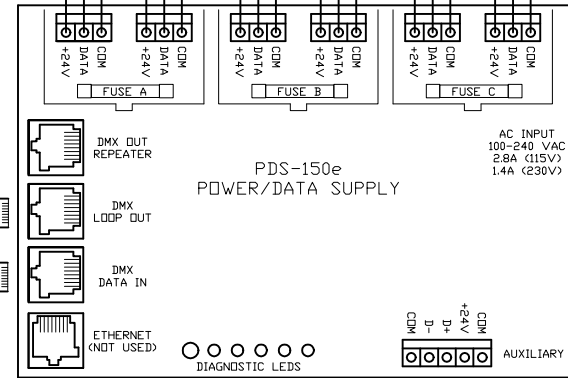
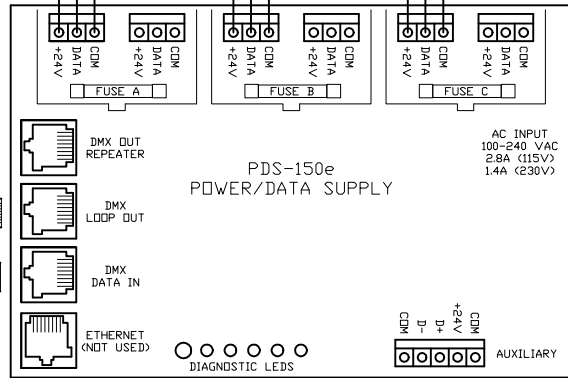
CAUTION: CONNECT ONLY 1 4-FIXTURE CHAIN TO A FUSE GROUP

OUT TO ADDITIONAL COLORBURST 4 FIXTURE CHAIN (IF USED)

CAUTION: USE ONLY 18AWG WIRES WHEN COMBINING 2 FIXTURES

OUT TO ADDITIONAL COLORBURST 4 FIXTURES (IF USED)

JUNCTION BOX (BY OTHERS) SEE INSTALLATION GUIDE FOR MOUNTING DETAILS



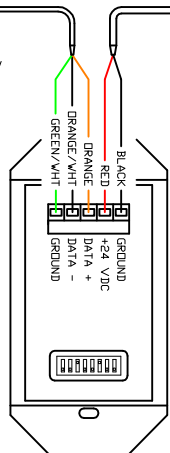
CAT 5/RJ45 DATA CABLE
(UTP 24 AWG 4 PAIR)

CAT 5/RJ45 DATA CABLE
(UTP 24 AWG 4 PAIR)

CONTINUE DMX OUT/IN SEQUENCE TO INCLUDE ALL PWR/DATA SUPPLIES, THEN TERMINATE THE LAST UNIT (SEE BELOW)

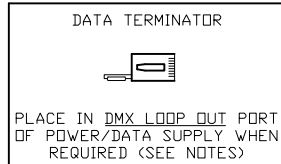
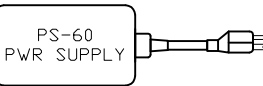
6' FLYING LEAD/RJ45 DATA CABLE
(OR SEE PIN-OUT BELOW IF MAKING CABLES)

5' FLYING LEAD/BNC POWER CABLE



COLORDIAL
(BACK VIEW)

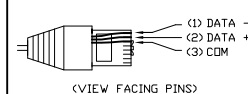
F-F PWR COUPLER



NOTE:

- USE DMX OUT REPEATER (INSTEAD OF LOOP OUT) ON EVERY 32nd PDS UNIT IN A CHAIN, OR WHEN A DATA CABLE RUN BETWEEN UNITS EXCEEDS 400'. WHEN USING THE DMX OUT REPEATER, PLACE A DATA TERMINATOR IN THE DMX LOOP OUT PORT OF THAT PDS UNIT (SEE ABOVE).

CAT-5/RJ45 PIN-OUT



COLOR KINETICS INCORPORATED
10 MILK STREET, SUITE 1100
BOSTON, MA 02108
888 FULL RGB
617 423 9999
www.COLORKINETICS.COM

FULL SPECTRUM DIGITAL LIGHTING

TITLE:	SYSTEM WIRING DIAGRAM (TYP)
PRODUCTS:	COLORBURST 4/PDS-150e/COLORDIAL/PS-60

DATE:	
DWG. BY:	TC
SCALE:	NTS
REV:	
PAGE:	1 OF 1