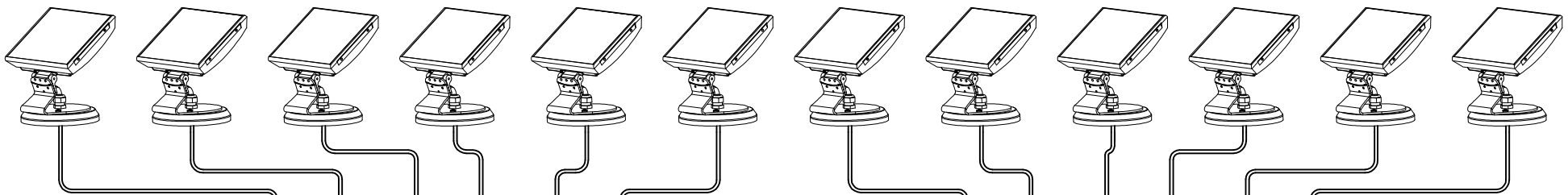
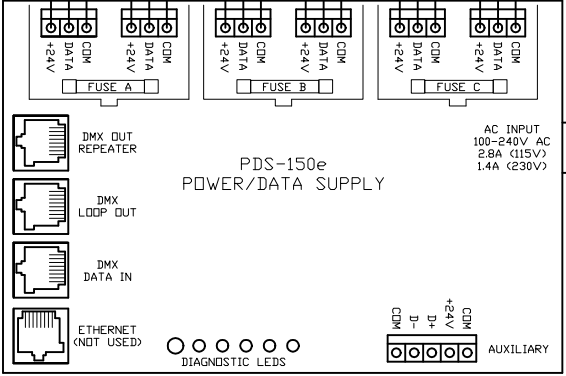
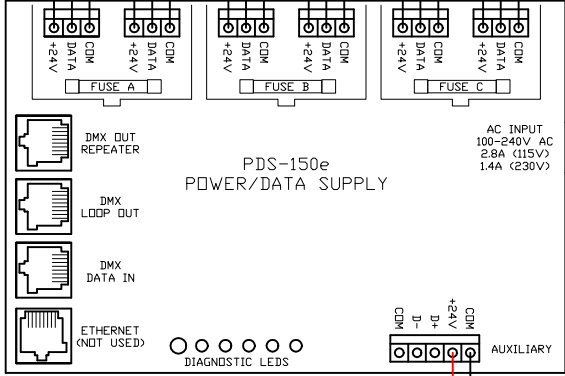


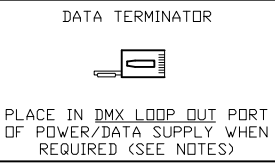
COLORBLAST 6 FIXTURES  
(MAX. 6 PER PDS-150e)



60' POWER/DATA CABLES  
(INCLUDED W/ FIXTURES-  
DO NOT EXTEND)



CONTINUE DMX OUT/IN  
SEQUENCE TO INCLUDE ALL  
PWR/DATA SUPPLIES, THEN  
TERMINATE THE LAST UNIT  
(SEE BELOW)



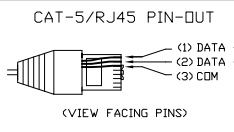
**NOTE:**  
- USE DMX OUT REPEATER (INSTEAD OF LOOP OUT) ON EVERY 32nd PDS UNIT IN A CHAIN, OR WHEN A DATA CABLE RUN BETWEEN UNITS EXCEEDS 400'. WHEN USING THE DMX OUT REPEATER, PLACE A DATA TERMINATOR IN THE DMX LOOP OUT PORT OF THAT PDS UNIT (SEE ABOVE).

CAT 5/RJ45 DATA CABLE  
(UTP 24 AWG 4 PAIR)

CAT 5/RJ45 DATA CABLE  
(UTP 24 AWG 4 PAIR)

CAT 5/RJ45 DATA CABLE  
(UTP 24 AWG 4 PAIR)

5' FLYING LEAD/BNC  
POWER CABLE



COLOR KINETICS INCORPORATED  
10 MILK STREET, SUITE 1100  
BOSTON, MA 02108  
888 FULL RGB  
617 423 9999  
[www.COLORKINETICS.COM](http://www.COLORKINETICS.COM)

**COLOR KINETICS**  
"FULL SPECTRUM DIGITAL LIGHTING"

TITLE: SYSTEM WIRING DIAGRAM (TYP)	DATE:
PRODUCTS: COLORBLAST 6/PDS-150e/SYNCHRONIZER	DWG. BY: TC
	SCALE: NTS
	REV:
	PAGE: 1 OF 1