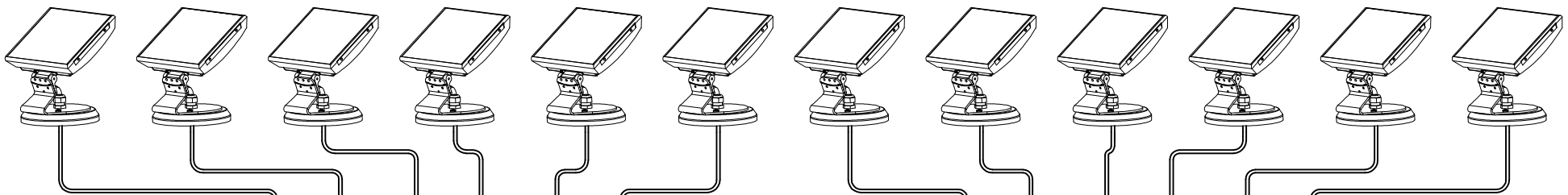
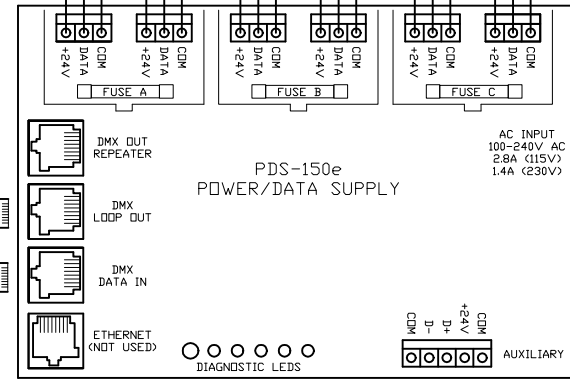
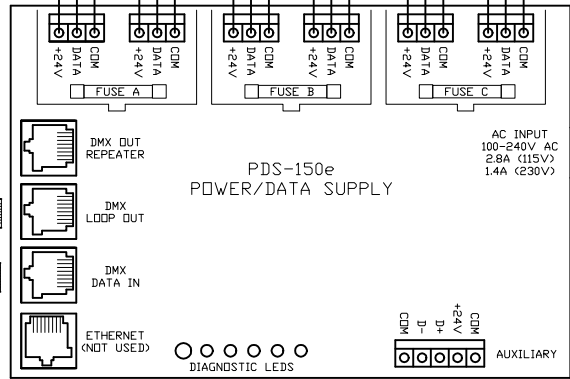


COLORBLAST 6 FIXTURES  
(MAX. 6 PER PDS-150e)



60' POWER/DATA CABLES  
(INCLUDED W/ FIXTURES-  
DO NOT EXTEND)

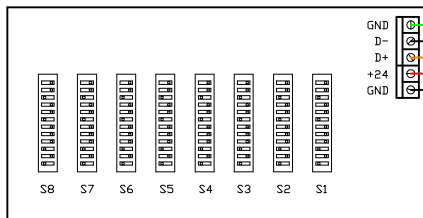


CONTINUE DMX OUT/IN  
SEQUENCE TO INCLUDE ALL  
PWR/DATA SUPPLIES, THEN  
TERMINATE THE LAST UNIT  
(SEE BELOW)

CAT 5/RJ45 DATA CABLE  
(UTP 24 AWG 4 PAIR)

CAT 5/RJ45 DATA CABLE  
(UTP 24 AWG 4 PAIR)

6' FLYING LEAD/RJ45  
DATA CABLE  
(OR SEE PIN-OUT BELOW  
IF MAKING CABLES)



MULTISYNCHRONIZER  
(BACK VIEW)

5' FLYING LEAD/BNC  
POWER CABLE

F-F PWR  
COUPLER

PS-60  
PWR SUPPLY

100-240V AC (1A)

DATA TERMINATOR

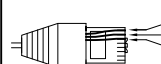


PLACE IN DMX LOOP OUT PORT  
OF POWER/DATA SUPPLY WHEN  
REQUIRED (SEE NOTES)

NOTE:

- USE DMX OUT REPEATER (INSTEAD OF LOOP OUT) ON EVERY 32nd PDS UNIT IN A CHAIN, OR WHEN A DATA CABLE RUN BETWEEN UNITS EXCEEDS 400'. WHEN USING THE DMX OUT REPEATER, PLACE A DATA TERMINATOR IN THE DMX LOOP OUT PORT OF THAT PDS UNIT (SEE ABOVE).

CAT-5/RJ45 PIN-OUT



(VIEW FACING PINS)



COLOR KINETICS INCORPORATED  
10 MILK STREET, SUITE 1100  
BOSTON, MA 02108  
888 FULL RGB  
617 423 9999  
www.COLORKINETICS.COM

\*FULL SPECTRUM DIGITAL LIGHTING\*

TITLE:  
SYSTEM WIRING DIAGRAM (TYP)

PRODUCTS:  
COLORBLAST 6/PDS-150e/  
MULTISYNCHRONIZER/PS-60

DATE:

DWG. BY: TC

SCALE: NTS

REV:

PAGE: 1 OF 1