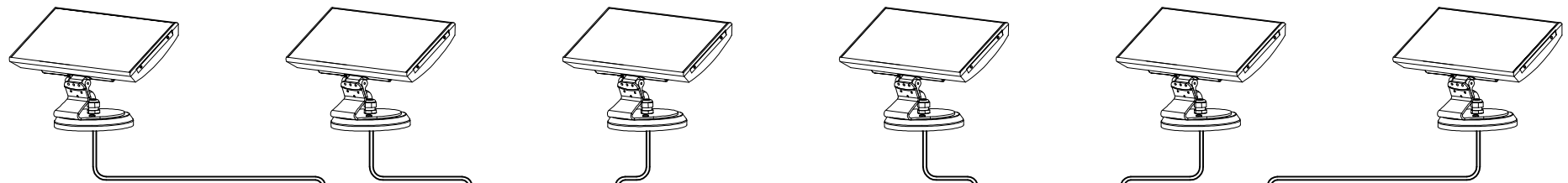
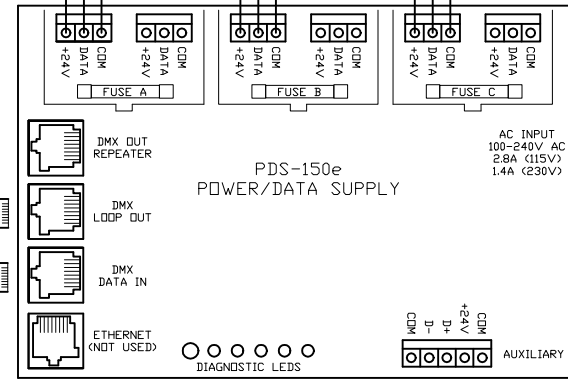
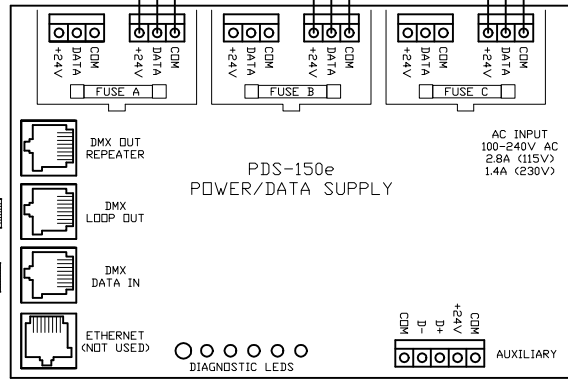


COLORBLAST 12 FIXTURES
(MAX. 3 PER PDS-150e)



60' POWER/DATA CABLES
(INCLUDED W/ FIXTURES-
DO NOT EXTEND)

CAUTION: CONNECT ONLY 1
FIXTURE TO A FUSE GROUP



CONTINUE DMX OUT/IN
SEQUENCE TO INCLUDE ALL
PWR/DATA SUPPLIES, THEN
TERMINATE THE LAST UNIT
(SEE BELOW)

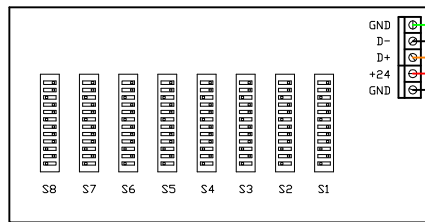
CAT 5/RJ45 DATA CABLE
(UTP 24 AWG 4 PAIR)

CAT 5/RJ45 DATA CABLE
(UTP 24 AWG 4 PAIR)

6' FLYING LEAD/RJ45
DATA CABLE
(OR SEE PIN-OUT BELOW
IF MAKING CABLES)

DATA TERMINATOR

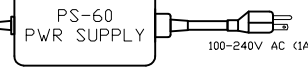
PLACE IN DMX LOOP OUT PORT
OF POWER/DATA SUPPLY WHEN
REQUIRED (SEE NOTES)



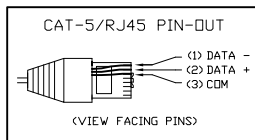
MULTISYNCHRONIZER
(BACK VIEW)

5' FLYING LEAD/BNC
POWER CABLE

F-F PWR
COUPLER



NOTE:
- USE DMX OUT REPEATER (INSTEAD OF LOOP OUT) ON EVERY 32nd PDS UNIT
IN A CHAIN, OR WHEN A DATA CABLE RUN BETWEEN UNITS EXCEEDS 400'.
WHEN USING THE DMX OUT REPEATER, PLACE A DATA TERMINATOR IN THE DMX
LOOP OUT PORT OF THAT PDS UNIT (SEE ABOVE).



COLOR KINETICS INCORPORATED
10 MILK STREET, SUITE 1100
BOSTON, MA 02108
888 FULL RGB
617 423 9999
www.COLORKINETICS.COM
FULL SPECTRUM DIGITAL LIGHTING

TITLE: SYSTEM WIRING DIAGRAM (TYP)	DATE:
PRODUCTS: COLORBLAST 12/PDS-150e/ MULTISYNCHRONIZER/PS-60	DWG. BY: TC
	SCALE: NTS
	REV:
	PAGE: 1 OF 1