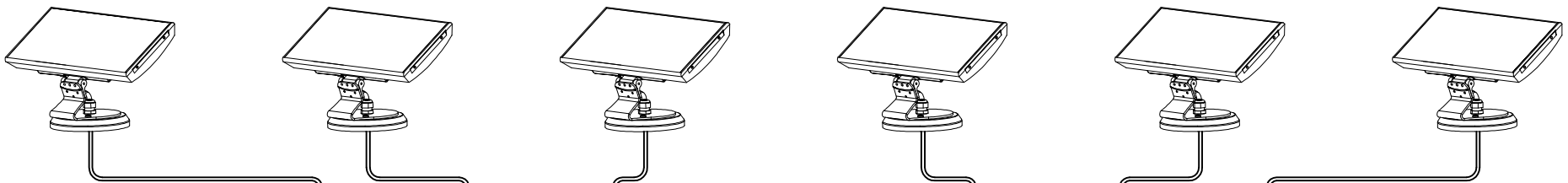
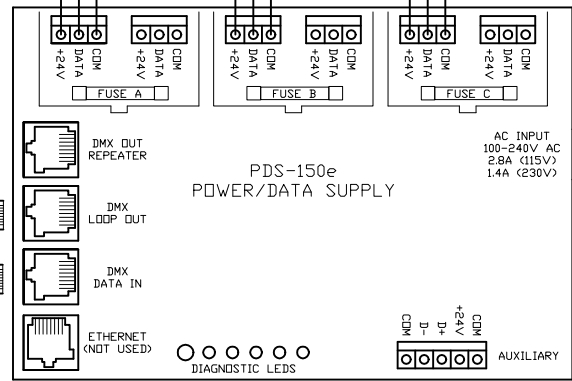
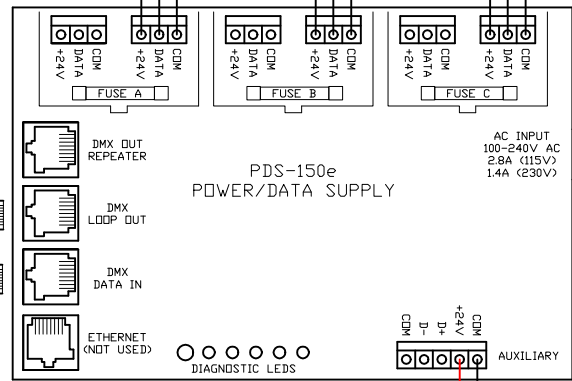


COLORBLAST 12 FIXTURES  
(MAX. 3 PER PDS-150e)



60' POWER/DATA CABLES  
(INCLUDED W/ FIXTURES-  
DO NOT EXTEND)

CAUTION: CONNECT ONLY 1  
FIXTURE TO A FUSE GROUP



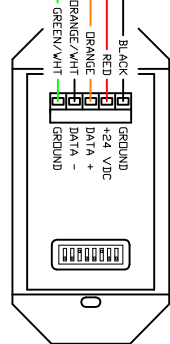
CONTINUE DMX OUT/IN  
SEQUENCE TO INCLUDE ALL  
PWR/DATA SUPPLIES, THEN  
TERMINATE THE LAST UNIT  
(SEE BELOW)

CAT 5/RJ45 DATA CABLE  
(UTP 24 AWG 4 PAIR)

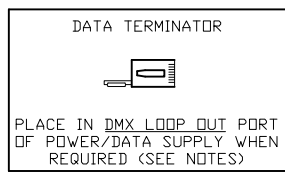
CAT 5/RJ45 DATA CABLE  
(UTP 24 AWG 4 PAIR)

6' FLYING LEAD/RJ45  
DATA CABLE  
(OR SEE PIN-OUT BELOW  
IF MAKING CABLES)

14-18 AWG LEADS (2)  
(SUPPLIED BY EC - 50' MAX)

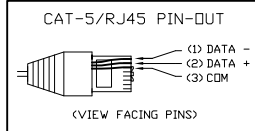


COLORDIAL  
(BACK VIEW)



PLACE IN DMX LOOP OUT PORT  
OF POWER/DATA SUPPLY WHEN  
REQUIRED (SEE NOTES)

**NOTE:**  
- USE DMX OUT REPEATER (INSTEAD OF LOOP OUT) ON EVERY 32nd PDS UNIT  
IN A CHAIN, OR WHEN A DATA CABLE RUN BETWEEN UNITS EXCEEDS 400'.  
WHEN USING THE DMX OUT REPEATER, PLACE A DATA TERMINATOR IN THE DMX  
LOOP OUT PORT OF THAT PDS UNIT (SEE ABOVE).



COLOR KINETICS INCORPORATED  
10 MILK STREET, SUITE 1100  
BOSTON, MA 02108  
888 FULL RGB  
617 423 9999  
WWW.COLORKINETICS.COM

\*FULL SPECTRUM DIGITAL LIGHTING\*

TITLE: SYSTEM WIRING DIAGRAM (TYP)	DATE:
PRODUCTS: COLORBLAST 12/PDS-150e/COLORDIAL	DWG. BY: TC
	SCALE: NTS
	REV:
	PAGE: 1 OF 1