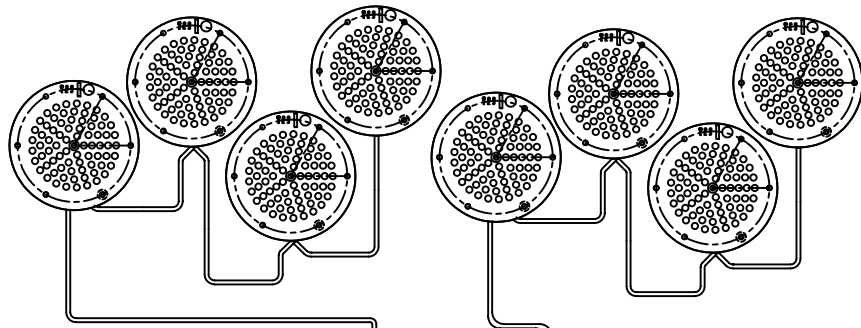


DAISY-CHAIN WIRING METHOD

DLE C-102
(MAX. 12 PER PDS-150e)

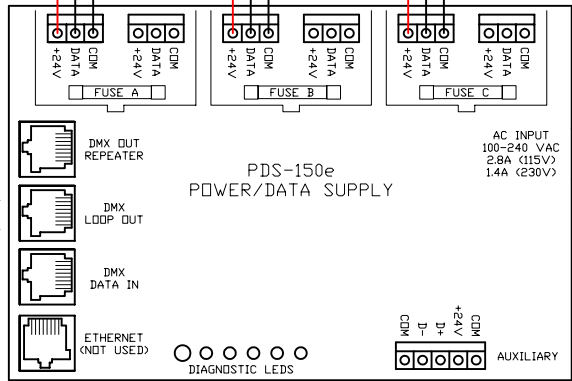
HOME-RUN WIRING METHOD



MAX. DISTANCE FROM PDS-150e TO END OF CHAIN = 50' (MAX. 4 DLEs)

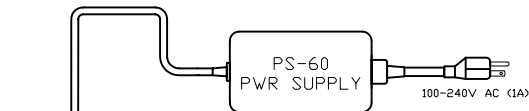
OUT TO ADDITIONAL DLE C-102 CHAIN (IF USED)

CAUTION: CONNECT ONLY 1 4-DLE CHAIN TO A FUSE GROUP



CAT 5/RJ45 DATA CABLE (UTP 24 AWG 4 PAIR)

CAT 5/RJ45 DATA CABLE (UTP 24 AWG 4 PAIR)

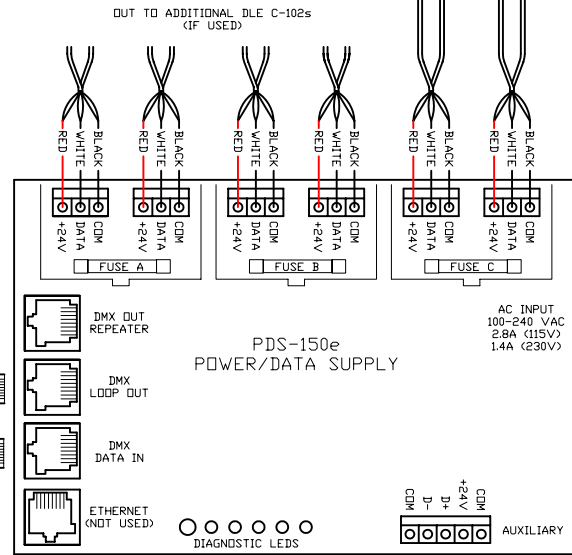


SYNCHRONIZER

NOTES:

- EACH PDS-150e CAN SUPPORT UP TO 12 DLE C-102s.
- USE 3 CONDUCTOR, 14-18AWG LEAD CABLES FROM PDS-150e TO EACH DLE, OR BETWEEN DLEs (PROVIDED BY OTHERS).
- TOTAL MAXIMUM COMBINED CABLE LENGTH PER PDS-150e FOR ALL CONNECTED DLEs = 400 FT. (HOME RUNS OR DAISY CHAINED).
- MAX. SINGLE CABLE RUN FROM PDS-150e TO 1 DLE = 150 FT.
- IF DAISY CHAINING DLEs, MAX. TOTAL CABLE RUN LENGTH FROM PDS-150e TO LAST DLE IN CHAIN (MAX 4 DLEs PER FUSE GROUP) = 50 FT.

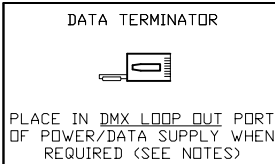
CAUTION: USE ONLY 18AWG WIRES WHEN COMBINING 2 DLEs



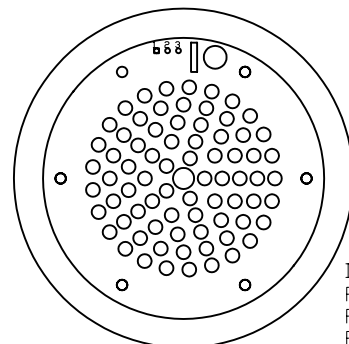
OUT TO ADDITIONAL DLE C-102s (IF USED)

CAT 5/RJ45 DATA CABLE (UTP 24 AWG 4 PAIR)

CONTINUE DMX OUT/IN SEQUENCE TO INCLUDE ALL PWR/DATA SUPPLIES, THEN TERMINATE THE LAST UNIT (SEE BELOW)



PLACE IN DMX LOOP OUT PORT OF POWER/DATA SUPPLY WHEN REQUIRED (SEE NOTES)

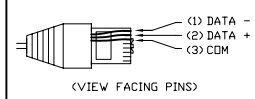


DLE C-102 DETAIL
PIN 1: DC CDM (BLACK)
PIN 2: DATA (WHITE)
PIN 3: +24VDC (RED)

NOTE:

- USE DMX OUT REPEATER (INSTEAD OF LOOP OUT) ON EVERY 32nd PDS UNIT IN A CHAIN, OR WHEN A DATA CABLE RUN BETWEEN UNITS EXCEEDS 400'. WHEN USING THE DMX OUT REPEATER, PLACE A DATA TERMINATOR IN THE DMX LOOP OUT PORT OF THAT PDS UNIT (SEE ABOVE).

CAT-5/RJ45 PIN-OUT



COLOR KINETICS INCORPORATED
10 MILK STREET, SUITE 1100
BOSTON, MA 02108
888 FULL RGB
617 423 9999
WWW.COLORKINETICS.COM
FULL SPECTRUM DIGITAL LIGHTING

TITLE:	SYSTEM WIRING DIAGRAM (TYP)
PRODUCTS:	DLE C-102/PDS-150e/SYNCHRONIZER/PS-60

DATE:	
DWG. BY:	TC
SCALE:	NTS
REV:	
PAGE:	1 OF 1