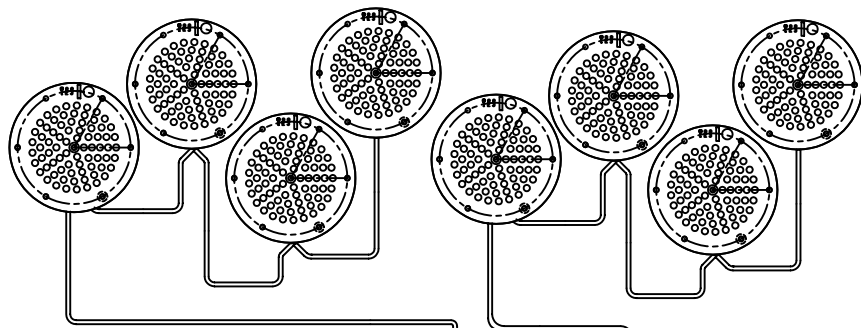


DAISY-CHAIN WIRING METHOD

DLE C-102  
(MAX. 12 PER PDS-150e)

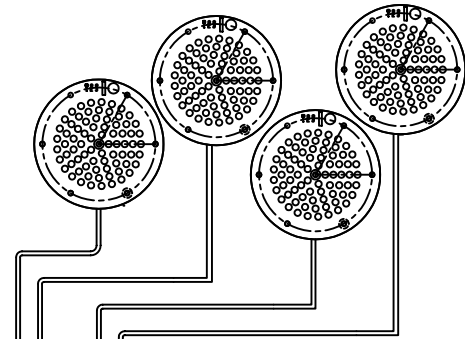
HOME-RUN WIRING METHOD



MAX. DISTANCE FROM PDS-150e TO END OF CHAIN = 50' (MAX. 4 DLEs)

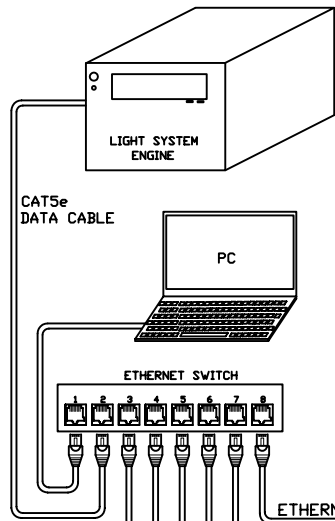
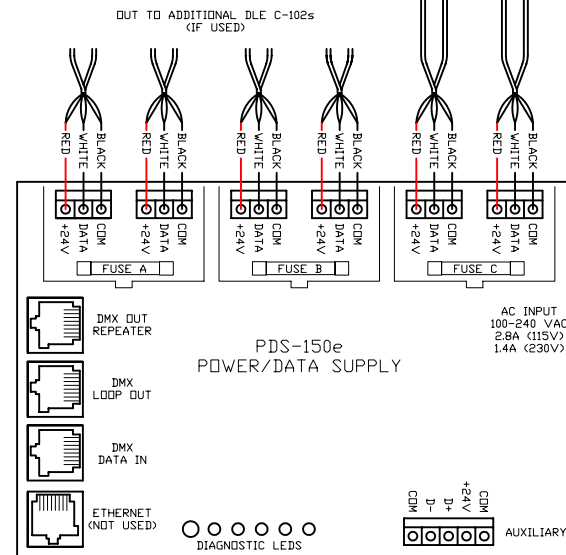
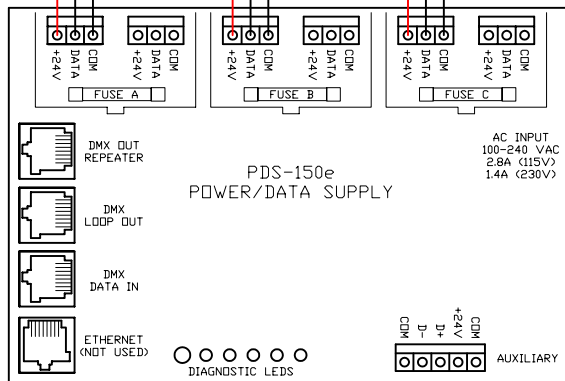
NOTES:

- EACH PDS-150e CAN SUPPORT UP TO 12 DLE C-102s.
- USE 3 CONDUCTOR, 14-18AWG LEAD CABLES FROM PDS-150e TO EACH DLE, OR BETWEEN DLEs (PROVIDED BY OTHERS).
- TOTAL MAXIMUM COMBINED CABLE LENGTH PER PDS-150e FOR ALL CONNECTED DLEs = 400 FT. (HOME RUNS OR DAISY CHAINED).
- MAX. SINGLE CABLE RUN FROM PDS-150e TO 1 DLE = 150 FT.
- IF DAISY CHAINING DLEs, MAX. TOTAL CABLE RUN LENGTH FROM PDS-150e TO LAST DLE IN CHAIN (MAX 4 DLEs PER FUSE GROUP) = 50 FT.

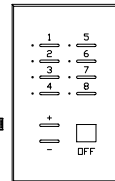


CAUTION: CONNECT ONLY 1 4-DLE CHAIN TO A FUSE GROUP

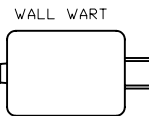
CAUTION: USE ONLY 18AWG WIRES WHEN COMBINING 2 DLEs



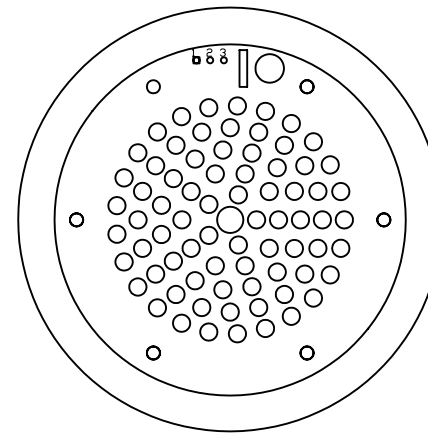
CONTROLLER KEYPAD



RED / +24V DC  
BLACK / GROUND

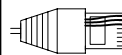


OUT TO ADDITIONAL PDS UNITS OR OUT TO ETHERNET SWITCH UPTO 3 LEVELS IN TOTAL



DLE C-102 DETAIL  
PIN 1: DC COM (BLACK)  
PIN 2: DATA (WHITE)  
PIN 3: +24VDC (RED)

CAT-5/RJ45 PIN-OUT



(VIEW FACING PINS)



COLOR KINETICS INCORPORATED  
10 MILK STREET, SUITE 1100  
BOSTON, MA 02108  
888 FULL RGB  
617 423 9999  
WWW.COLORKINETICS.COM

\*FULL SPECTRUM DIGITAL LIGHTING\*

TITLE:  
SYSTEM WIRING DIAGRAM (TYP)

PRODUCTS:  
DLE C-102/PDS-150e/LSM/ECK

DATE:

DWG. BY: TC

SCALE: NTS

REV:

1 OF 1