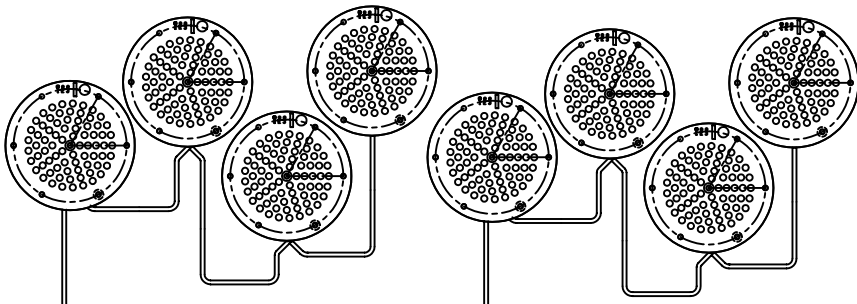


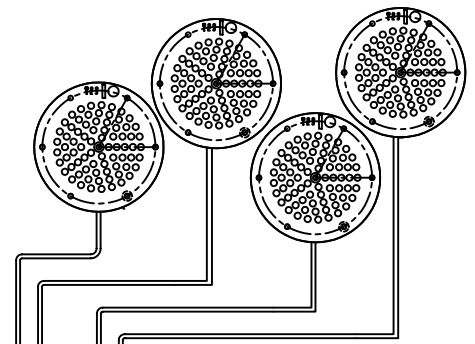
DAISY-CHAIN WIRING METHOD

DLE C-102  
(MAX. 12 PER PDS-150e)

HOME-RUN WIRING METHOD

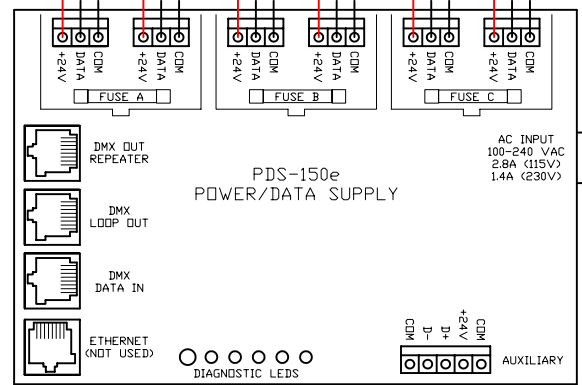
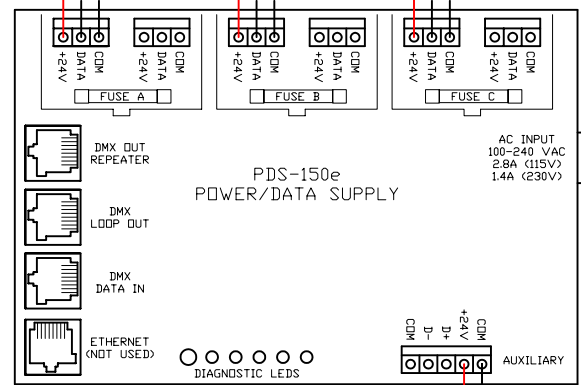


- NOTES:**
- EACH PDS-150e CAN SUPPORT UP TO 12 DLE C-102s.
  - USE 3 CONDUCTOR, 14-18AWG LEAD CABLES FROM PDS-150e TO EACH DLE, OR BETWEEN DLEs (PROVIDED BY OTHERS).
  - TOTAL MAXIMUM COMBINED CABLE LENGTH PER PDS-150e FOR ALL CONNECTED DLEs = 400 FT. (HOME RUNS OR DAISY CHAINED).
  - MAX. SINGLE CABLE RUN FROM PDS-150e TO 1 DLE = 150 FT.
  - IF DAISY CHAINING DLEs, MAX. TOTAL CABLE RUN LENGTH FROM PDS-150e TO LAST DLE IN CHAIN (MAX 4 DLEs PER FUSE GROUP) = 50 FT.

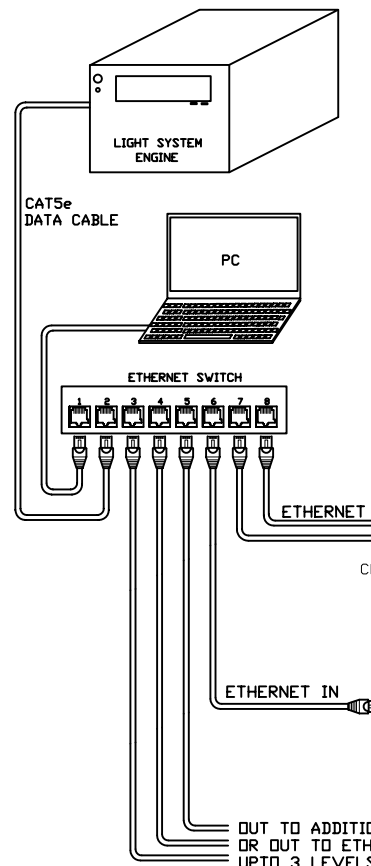
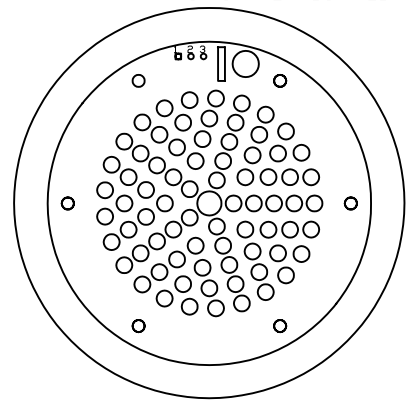


CAUTION: CONNECT ONLY 1 4-DLE CHAIN TO A FUSE GROUP

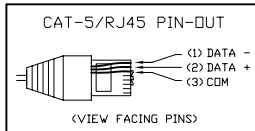
CAUTION: USE ONLY 18AWG WIRES WHEN COMBINING 2 DLEs



DLE C-102 DETAIL  
PIN 1: DC COM (BLACK)  
PIN 2: DATA (WHITE)  
PIN 3: +24VDC (RED)



OUT TO ADDITIONAL PDS UNITS OR OUT TO ETHERNET SWITCH UPTD 3 LEVELS IN TOTAL



COLOR KINETICS INCORPORATED  
10 MILK STREET, SUITE 1100  
BOSTON, MA 02108  
888 FULL RGB  
617 423 9999  
WWW.COLORKINETICS.COM

\*FULL SPECTRUM DIGITAL LIGHTING\*

TITLE:	SYSTEM WIRING DIAGRAM (TYP)
DATE:	
DWG. BY:	TC
SCALE:	NTS
REV:	
PAGE:	1 OF 1

DATE:	
DWG. BY:	TC
SCALE:	NTS
REV:	
PAGE:	1 OF 1