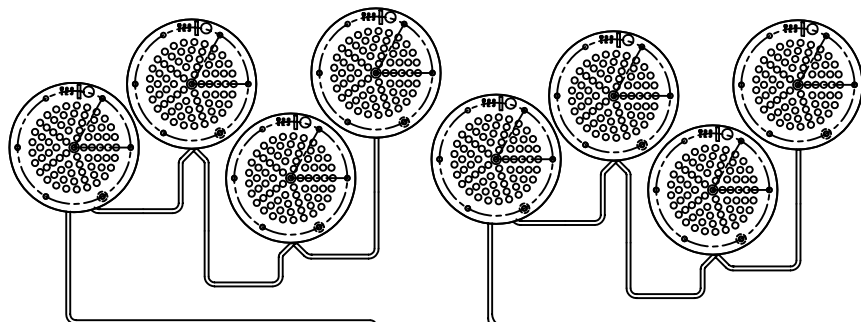


DAISY-CHAIN WIRING METHOD

DLE C-102  
(MAX. 12 PER PDS-150e)

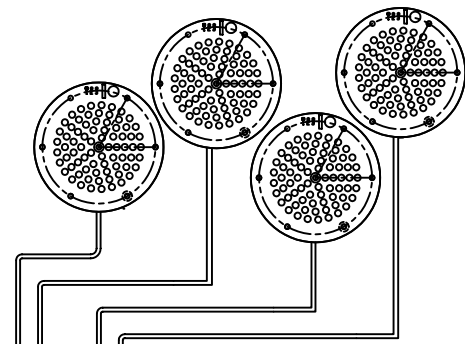
HOME-RUN WIRING METHOD



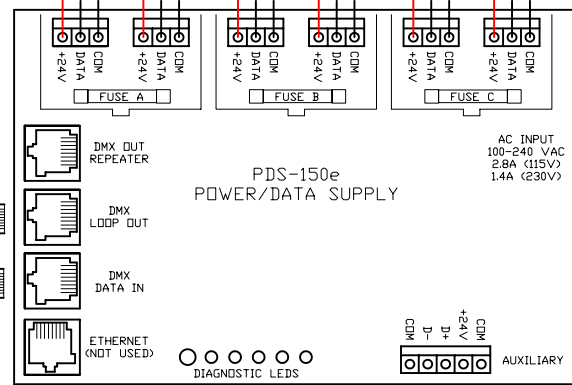
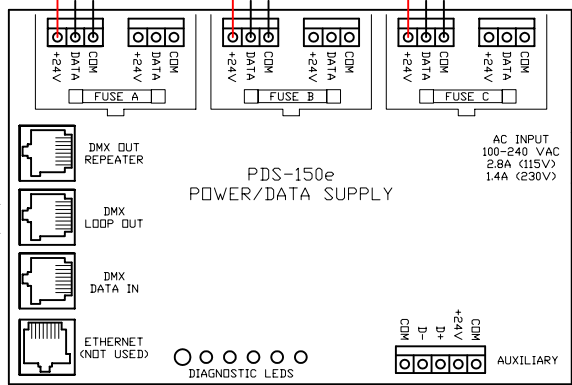
MAX. DISTANCE FROM PDS-150e TO END OF CHAIN = 50' (MAX. 4 DLEs)

CAUTION: CONNECT ONLY 1 4-DLE CHAIN TO A FUSE GROUP

- NOTES:
- EACH PDS-150e CAN SUPPORT UP TO 12 DLE C-102s.
  - USE 3 CONDUCTOR, 14-18AWG LEAD CABLES FROM PDS-150e TO EACH DLE, OR BETWEEN DLEs (PROVIDED BY OTHERS).
  - TOTAL MAXIMUM COMBINED CABLE LENGTH PER PDS-150e FOR ALL CONNECTED DLEs = 400 FT. (HOME RUNS OR DAISY CHAINED).
  - MAX. SINGLE CABLE RUN FROM PDS-150e TO 1 DLE = 150 FT.
  - IF DAISY CHAINING DLEs, MAX. TOTAL CABLE RUN LENGTH FROM PDS-150e TO LAST DLE IN CHAIN (MAX 4 DLEs PER FUSE GROUP) = 50 FT.



CAUTION: USE ONLY 18AWG WIRES WHEN COMBINING 2 DLEs

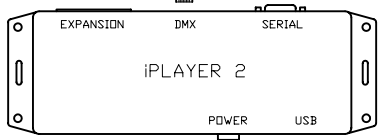


CAT 5/RJ45 DATA CABLE (UTP 24 AWG 4 PAIR)

CAT 5/RJ45 DATA CABLE (UTP 24 AWG 4 PAIR)

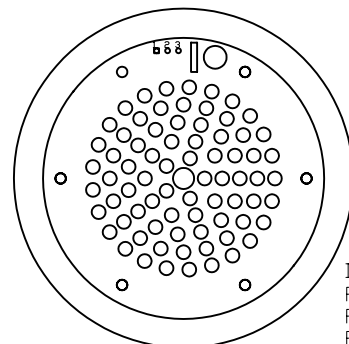
CONTINUE DMX OUT/IN SEQUENCE TO INCLUDE ALL PWR/DATA SUPPLIES, THEN TERMINATE THE LAST UNIT (SEE BELOW)

CAT 5/RJ45 DATA CABLE (UTP 24 AWG 4 PAIR)

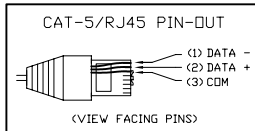
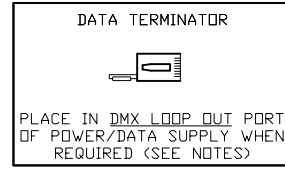


100-240V AC (1A)

NOTE:  
- USE DMX OUT REPEATER (INSTEAD OF LOOP OUT) ON EVERY 32nd PDS UNIT IN A CHAIN, OR WHEN A DATA CABLE RUN BETWEEN UNITS EXCEEDS 400'. WHEN USING THE DMX OUT REPEATER, PLACE A DATA TERMINATOR IN THE DMX LOOP OUT PORT OF THAT PDS UNIT (SEE ABOVE).



DLE C-102 DETAIL  
PIN 1: DC CDM (BLACK)  
PIN 2: DATA (WHITE)  
PIN 3: +24VDC (RED)



COLOR KINETICS INCORPORATED  
10 MILK STREET, SUITE 1100  
BOSTON, MA 02108  
888 FULL RGB  
617 423 9999  
WWW.COLORKINETICS.COM

\*FULL SPECTRUM DIGITAL LIGHTING\*

TITLE: SYSTEM WIRING DIAGRAM (TYP)	DATE:
PRODUCTS: DLE C-102/PDS-150e/IPLAYER 2/PS-60	DWG. BY: TC
	SCALE: NTS
	REV:
	PAGE: 1 OF 1