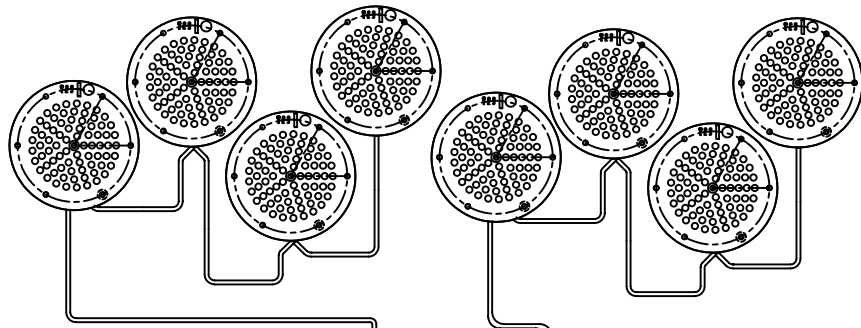


DAISY-CHAIN WIRING METHOD

DLE C-102
(MAX. 12 PER PDS-150e)

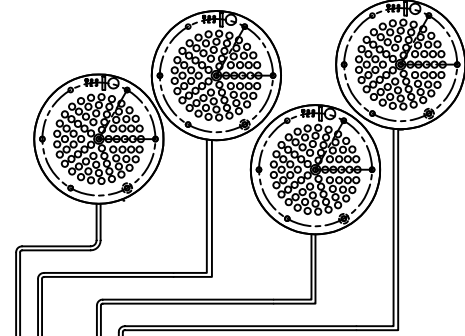
HOME-RUN WIRING METHOD



MAX. DISTANCE FROM PDS-150e TO END OF CHAIN = 50' (MAX. 4 DLEs)

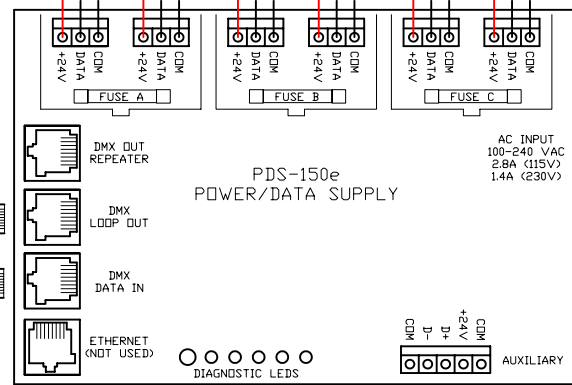
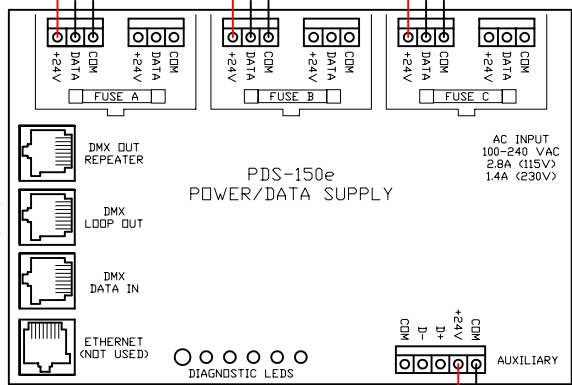
NOTES:

- EACH PDS-150e CAN SUPPORT UP TO 12 DLE C-102s.
- USE 3 CONDUCTOR, 14-18AWG LEAD CABLES FROM PDS-150e TO EACH DLE, OR BETWEEN DLEs (PROVIDED BY OTHERS).
- TOTAL MAXIMUM COMBINED CABLE LENGTH PER PDS-150e FOR ALL CONNECTED DLEs = 400 FT. (HOME RUNS OR DAISY CHAINED).
- MAX. SINGLE CABLE RUN FROM PDS-150e TO 1 DLE = 150 FT.
- IF DAISY CHAINING DLEs, MAX. TOTAL CABLE RUN LENGTH FROM PDS-150e TO LAST DLE IN CHAIN (MAX 4 DLEs PER FUSE GROUP) = 50 FT.



CAUTION: USE ONLY 18AWG WIRES WHEN COMBINING 2 DLEs

CAUTION: CONNECT ONLY 1 4-DLE CHAIN TO A FUSE GROUP

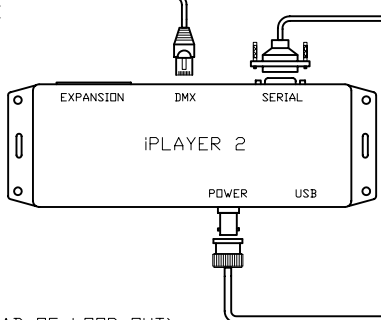


CAT 5/RJ45 DATA CABLE (UTP 24 AWG 4 PAIR)

CAT 5/RJ45 DATA CABLE (UTP 24 AWG 4 PAIR)

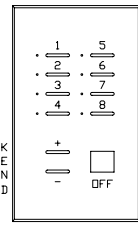
CONTINUE DMX OUT/IN SEQUENCE TO INCLUDE ALL PWR/DATA SUPPLIES, THEN TERMINATE THE LAST UNIT (SEE BELOW)

CAT 5/RJ45 DATA CABLE (UTP 24 AWG 4 PAIR)

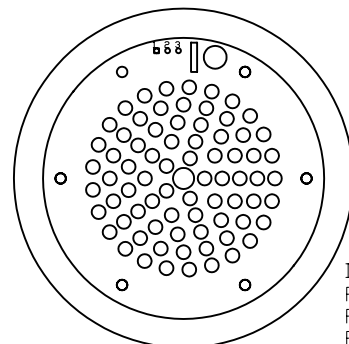


5' FLYING LEAD/BNC POWER CABLE

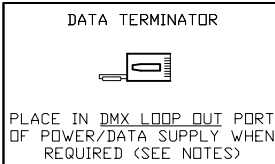
SERIAL CABLE (20' INCL./50' MAX.)



CONTROLLER KEYPAD

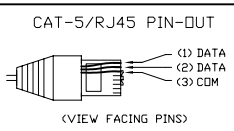


DLE C-102 DETAIL
PIN 1: DC COM (BLACK)
PIN 2: DATA (WHITE)
PIN 3: +24VDC (RED)



PLACE IN DMX LOOP OUT PORT OF POWER/DATA SUPPLY WHEN REQUIRED (SEE NOTES)

NOTE:
- USE DMX OUT REPEATER (INSTEAD OF LOOP OUT) ON EVERY 32nd PDS UNIT IN A CHAIN, OR WHEN A DATA CABLE RUN BETWEEN UNITS EXCEEDS 400'. WHEN USING THE DMX OUT REPEATER, PLACE A DATA TERMINATOR IN THE DMX LOOP OUT PORT OF THAT PDS UNIT (SEE ABOVE).



COLOR KINETICS INCORPORATED
10 MILK STREET, SUITE 1100
BOSTON, MA 02108
888 FULL RGB
617 423 9999
WWW.COLORKINETICS.COM
"FULL SPECTRUM DIGITAL LIGHTING"

| | |
|-----------|--|
| TITLE: | SYSTEM WIRING DIAGRAM (TYP) |
| PRODUCTS: | DLE C-102/PDS-150e/IPLAYER 2/ CONTROLLER KEYPAD |

| | |
|----------|--------|
| DATE: | |
| DWG. BY: | TC |
| SCALE: | NTS |
| REV: | |
| PAGE: | 1 OF 1 |