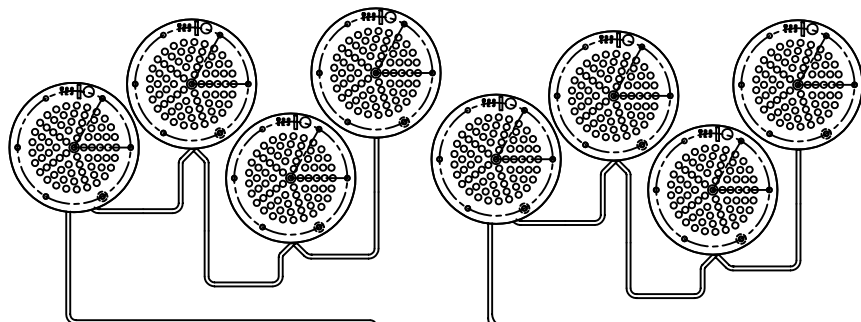


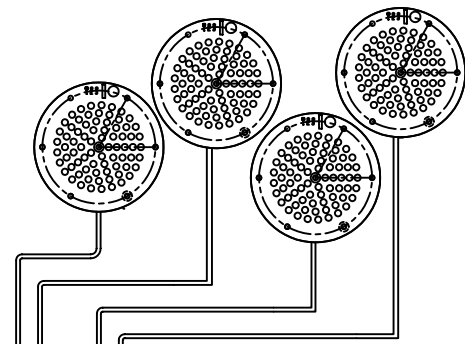
DAISY-CHAIN WIRING METHOD

DLE C-102  
(MAX. 12 PER PDS-150e)

HOME-RUN WIRING METHOD

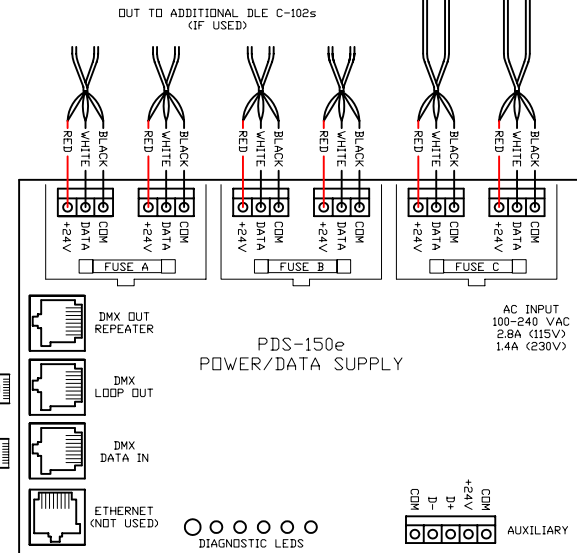
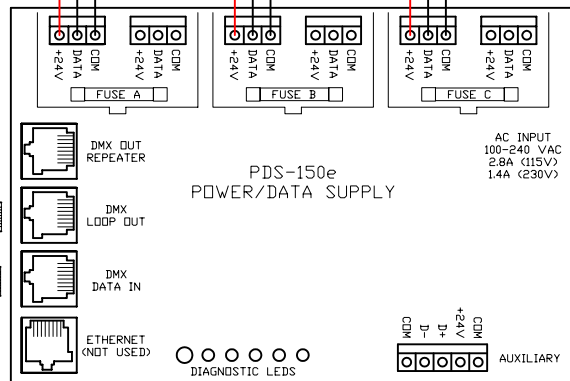


- NOTES:**
- EACH PDS-150e CAN SUPPORT UP TO 12 DLE C-102s.
  - USE 3 CONDUCTOR, 14-18AWG LEAD CABLES FROM PDS-150e TO EACH DLE, OR BETWEEN DLEs (PROVIDED BY OTHERS).
  - TOTAL MAXIMUM COMBINED CABLE LENGTH PER PDS-150e FOR ALL CONNECTED DLEs = 400 FT. (HOME RUNS OR DAISY CHAINED).
  - MAX. SINGLE CABLE RUN FROM PDS-150e TO 1 DLE = 150 FT.
  - IF DAISY CHAINING DLEs, MAX. TOTAL CABLE RUN LENGTH FROM PDS-150e TO LAST DLE IN CHAIN (MAX 4 DLEs PER FUSE GROUP) = 50 FT.



**CAUTION:** CONNECT ONLY 1 4-DLE CHAIN TO A FUSE GROUP

**CAUTION:** USE ONLY 18AWG WIRES WHEN COMBINING 2 DLEs



CAT 5/RJ45 DATA CABLE  
(UTP 24 AWG 4 PAIR)

CAT 5/RJ45 DATA CABLE  
(UTP 24 AWG 4 PAIR)

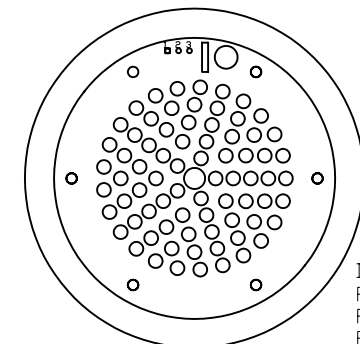
CONTINUE DMX OUT/IN SEQUENCE TO INCLUDE ALL PWR/DATA SUPPLIES, THEN TERMINATE THE LAST UNIT (SEE BELOW)

CAT 5/RJ45 DATA CABLE  
(UTP 24 AWG 4 PAIR)

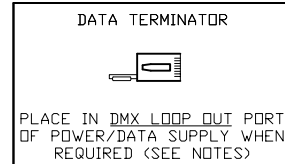
INLINE DATA COUPLER

DMX ADAPTER CABLE  
(XLR-5 (MALE) TO RJ45)

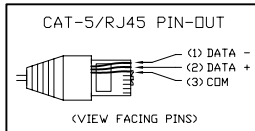
DATA IN FROM DMX CONTROLLER/  
PLAYBACK SOURCE



**DLE C-102 DETAIL**  
PIN 1: DC CDM (BLACK)  
PIN 2: DATA (WHITE)  
PIN 3: +24VDC (RED)



**NOTE:**  
- USE DMX OUT REPEATER (INSTEAD OF LOOP OUT) ON EVERY 32nd PDS UNIT IN A CHAIN, OR WHEN A DATA CABLE RUN BETWEEN UNITS EXCEEDS 400'. WHEN USING THE DMX OUT REPEATER, PLACE A DATA TERMINATOR IN THE DMX LOOP OUT PORT OF THAT PDS UNIT (SEE ABOVE).



COLOR KINETICS INCORPORATED  
10 MILK STREET, SUITE 1100  
BOSTON, MA 02108  
888 FULL RGB  
617 423 9999  
WWW.COLORKINETICS.COM  
"FULL SPECTRUM DIGITAL LIGHTING"

TITLE: SYSTEM WIRING DIAGRAM (TYP)	DATE:
PRODUCTS: DLE C-102/PDS-150e/DMX CONTROLLER	DWG. BY: TC
	SCALE: NTS
	REV:
	PAGE: 1 OF 1