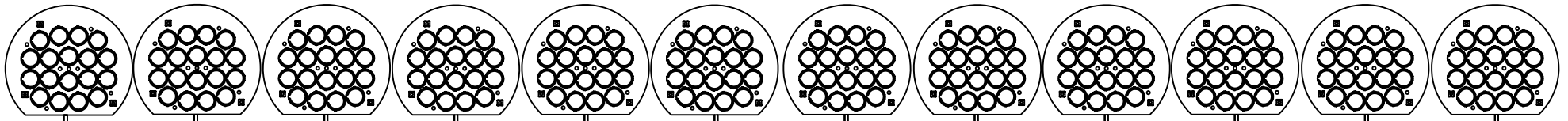
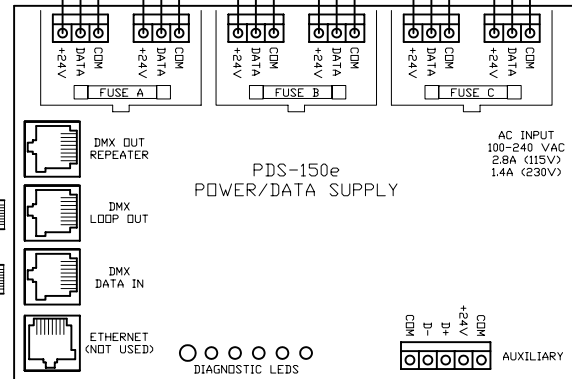
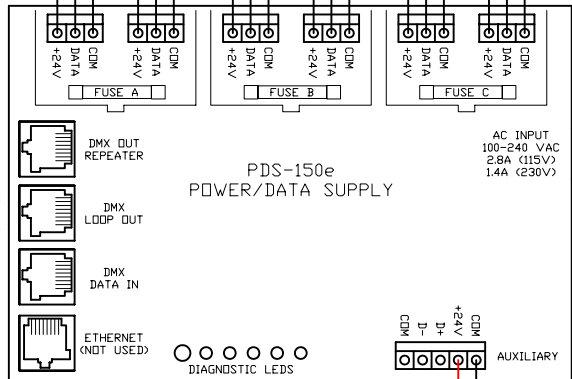


COLORBURST 6 FIXTURES
(MAX. 6 PER PDS-150e)



NOTE:
- USE DMX OUT REPEATER (INSTEAD OF LOOP OUT) ON EVERY 32nd PDS UNIT IN A CHAIN, OR WHEN A DATA CABLE RUN BETWEEN UNITS EXCEEDS 400'. WHEN USING THE DMX OUT REPEATER, PLACE A DATA TERMINATOR IN THE DMX LOOP OUT PORT OF THAT PDS UNIT (SEE ABOVE).

NOTES:
- USE 3 CONDUCTOR, 14-18AWG LEAD CABLES OUT TO EACH DLE (PROVIDED BY OTHERS).
- MAX. DISTANCE FROM PDS-150e TO DLE = 60' (INCL. FIX. LEADS)



CAT 5/RJ45 DATA CABLE
(UTP 24 AWG 4 PAIR)

CAT 5/RJ45 DATA CABLE
(UTP 24 AWG 4 PAIR)

6' FLYING LEAD/RJ45
DATA CABLE
(OR SEE PIN-OUT BELOW
IF MAKING CABLES)

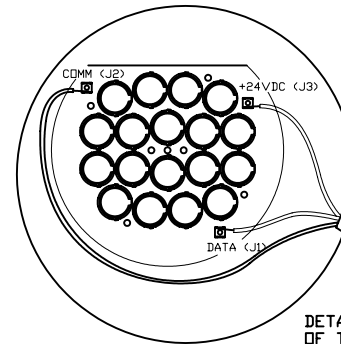
14-18 AWG LEADS (2)
(SUPPLIED BY EC - 50' MAX)

CONTINUE DMX OUT/IN
SEQUENCE TO INCLUDE ALL
PWR/DATA SUPPLIES, THEN
TERMINATE THE LAST UNIT
(SEE BELOW)

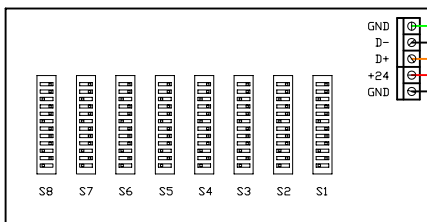
DATA TERMINATOR



PLACE IN DMX LOOP OUT PORT
OF POWER/DATA SUPPLY WHEN
REQUIRED (SEE NOTES)

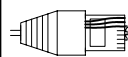


**DETAIL FOR THE WIRING
OF THE DLE C-101**



**MULTISYNCHRONIZER
(BACK VIEW)**

CAT-5/RJ45 PIN-OUT



(VIEW FACING PINS)



COLOR KINETICS INCORPORATED
10 MILK STREET, SUITE 1100
BOSTON, MA 02108
888 FULL RGB
617 423 9999
WWW.COLORKINETICS.COM

FULL SPECTRUM DIGITAL LIGHTING

TITLE:
SYSTEM WIRING DIAGRAM (TYP)

PRODUCTS:
DLE C-101/PDS-150e/
MULTISYNCHRONIZER

DATE:

DWG. BY: TC

SCALE: NTS

REV:

PAGE: 1 OF 1