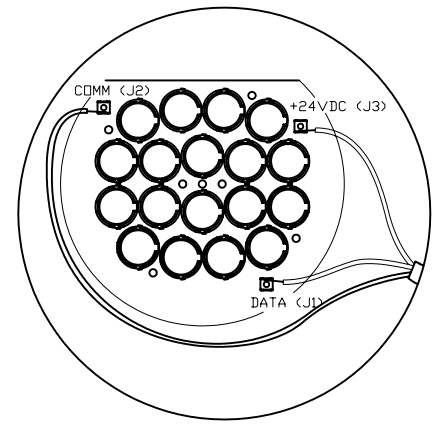
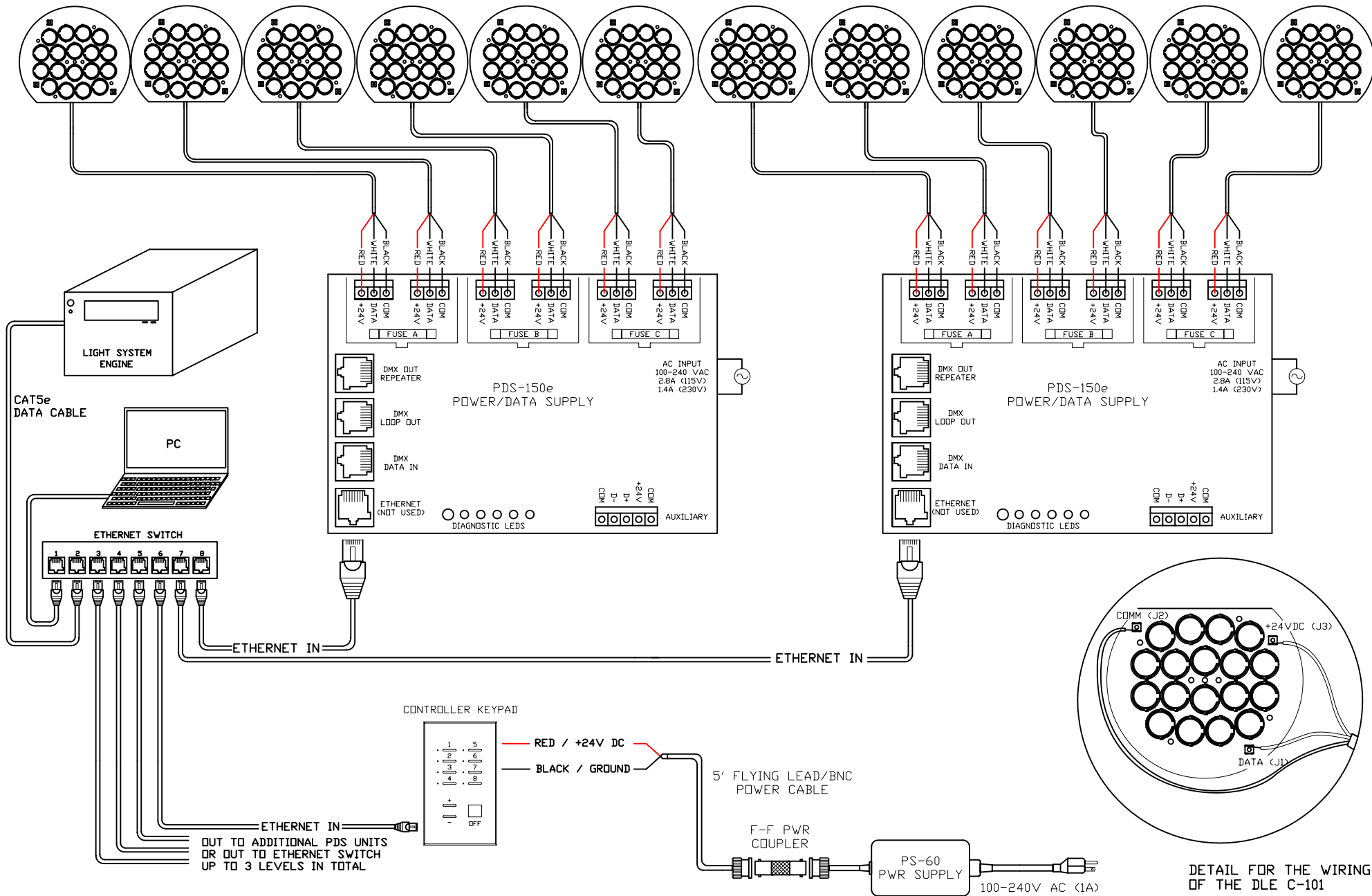



DLE C-101
(MAX. 6 PER PDS-150e)



- NOTES:**
- USE 3 CONDUCTOR, 14-18AWG LEAD CABLES OUT TO EACH DLE (PROVIDED BY OTHERS).
 - MAX. DISTANCE FROM PDS-150e TO DLE = 60' (INCL. FIX. LEADS)

 <p>COLOR KINETICS INCORPORATED 10 MILK STREET, SUITE 1100 BOSTON, MA 02108 888 FULL RGB 617 423 9999 WWW.COLORKINETICS.COM</p>	TITLE: SYSTEM WIRING DIAGRAM (TYP)	DATE:
	PRODUCTS: DLE C-101/PDS-150e/LSM/ECK/PS-60	DWG. BY: BS
		SCALE: NTS
		REV:
"FULL SPECTRUM DIGITAL LIGHTING"		PAGE: 1 OF 1