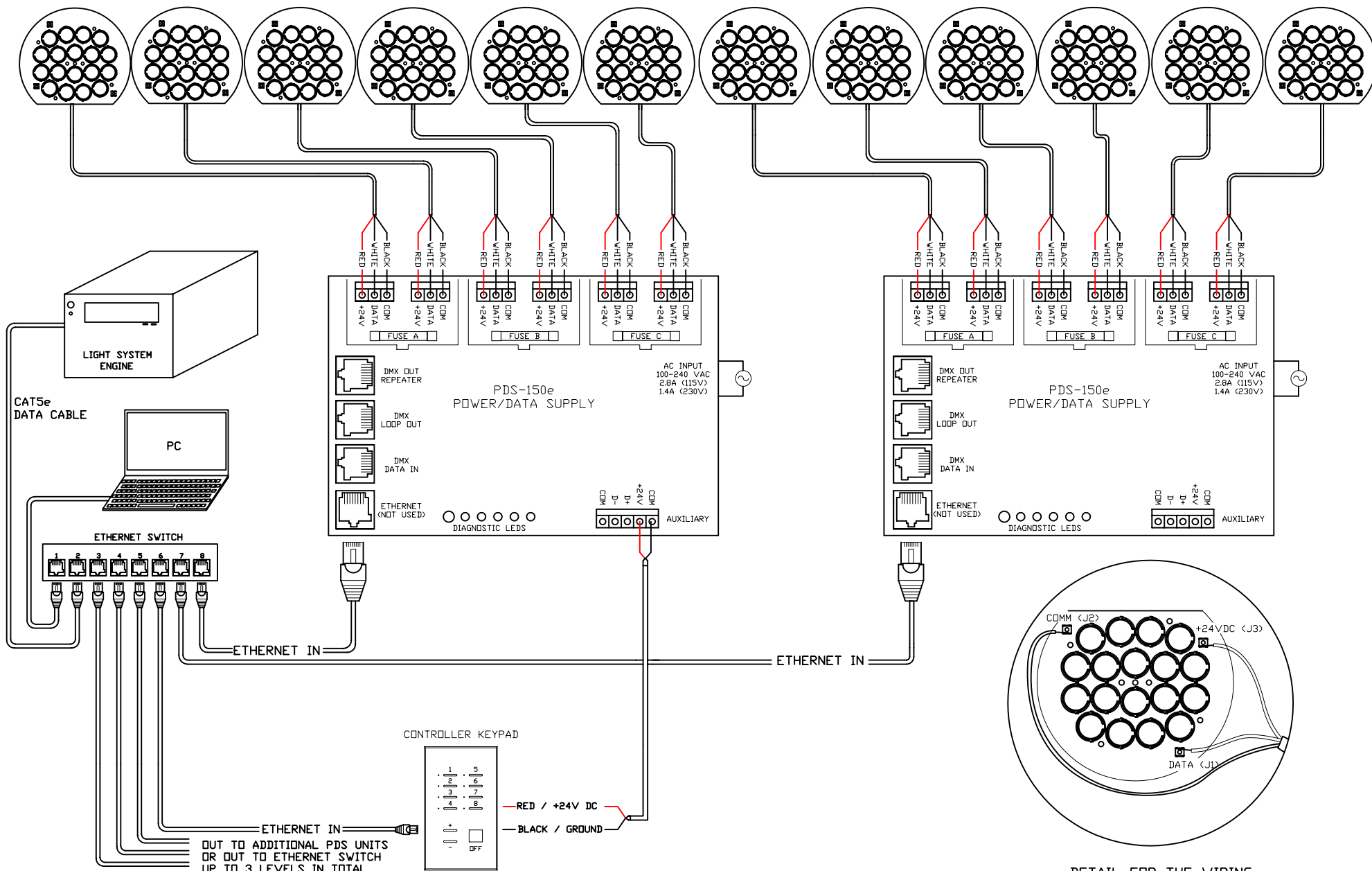



DLE C-101
(MAX. 6 PER PDS-150e)



DETAIL FOR THE WIRING
OF THE DLE C-101

NOTES:

- USE 3 CONDUCTOR, 14-18AWG LEAD CABLES OUT TO EACH DLE (PROVIDED BY OTHERS).
- MAX. DISTANCE FROM PDS-150e TO DLE = 60' (INCL. FIX. LEADS)

 <p>COLOR KINETICS INCORPORATED 10 MILK STREET, SUITE 1100 BOSTON, MA 02108 888 FULL RGB 617 423 9999 www.COLORKINETICS.COM</p>	<p>TITLE: SYSTEM WIRING DIAGRAM (TYP)</p>	<p>DATE:</p>
	<p>PRODUCTS: DLE C-101/PDS-150e/LSM/ECK/ PDS-150e</p>	<p>DWG. BY: BS</p>
<p>*FULL SPECTRUM DIGITAL LIGHTING*</p>	<p>SCALE: NTS</p>	<p>REV:</p>
	<p>PAGE: 1 OF 1</p>	