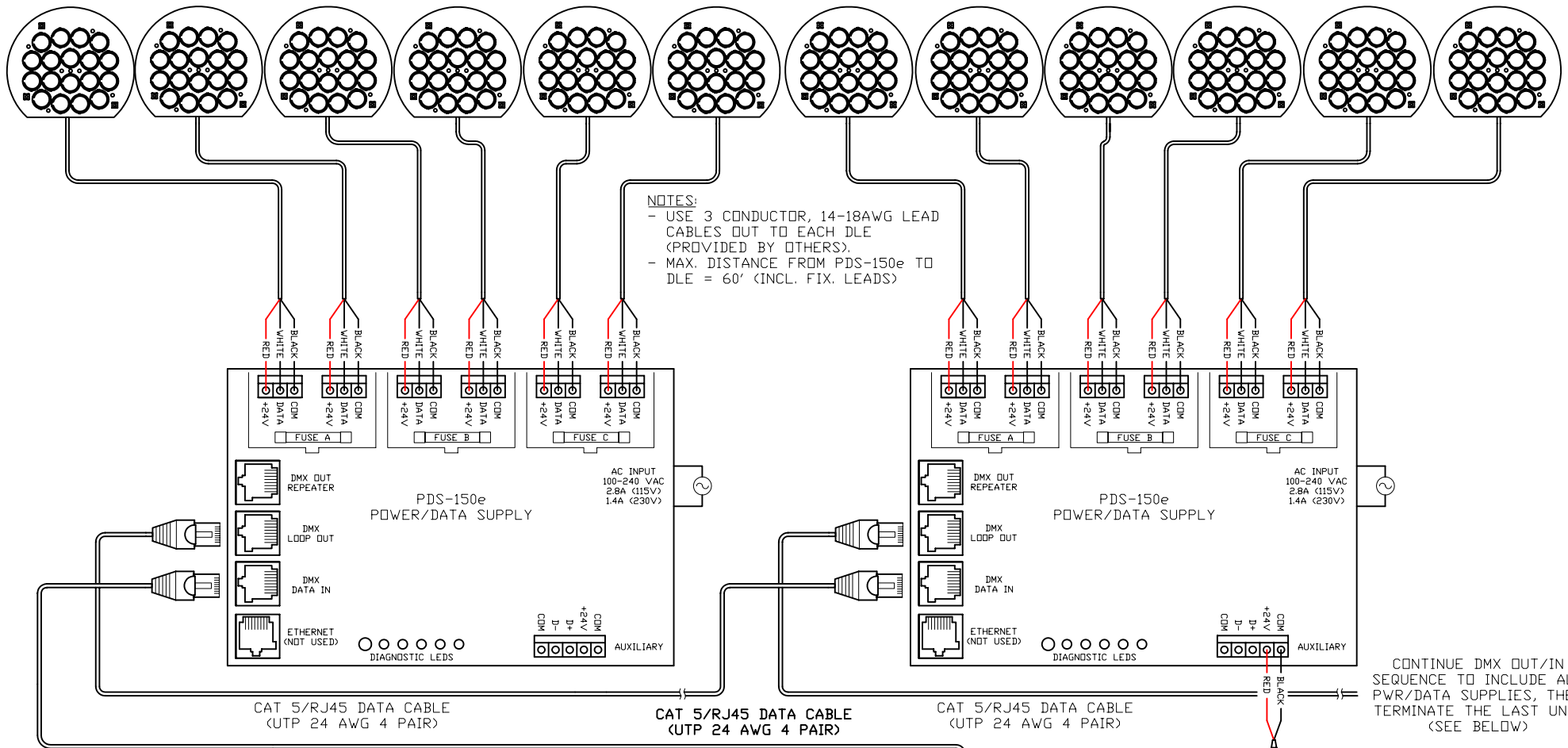
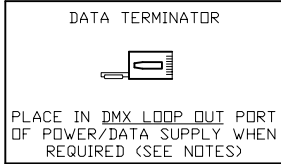


DLE C-101  
(MAX. 6 PER PDS-150e)

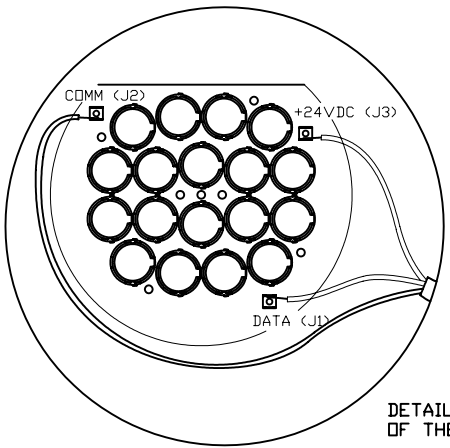


**NOTES:**  
 - USE 3 CONDUCTOR, 14-18AWG LEAD CABLES OUT TO EACH DLE (PROVIDED BY OTHERS).  
 - MAX. DISTANCE FROM PDS-150e TO DLE = 60' (INCL. FIX. LEADS)

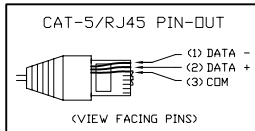
CONTINUE DMX OUT/IN SEQUENCE TO INCLUDE ALL PWR/DATA SUPPLIES, THEN TERMINATE THE LAST UNIT (SEE BELOW)



**NOTE:**  
 - USE DMX OUT REPEATER (INSTEAD OF LOOP OUT) ON EVERY 32nd PDS UNIT IN A CHAIN, OR WHEN A DATA CABLE RUN BETWEEN UNITS EXCEEDS 400'. WHEN USING THE DMX OUT REPEATER, PLACE A DATA TERMINATOR IN THE DMX LOOP OUT PORT OF THAT PDS UNIT (SEE ABOVE).



DETAIL FOR THE WIRING OF THE DLE C-101



COLOR KINETICS INCORPORATED  
 10 MILK STREET, SUITE 1100  
 BOSTON, MA 02108  
 888 FULL RGB  
 617 423 9999  
 WWW.COLORKINETICS.COM  
 "FULL SPECTRUM DIGITAL LIGHTING"

TITLE:  
 SYSTEM WIRING DIAGRAM (TYP)

PRODUCTS:  
 DLE C-101/PDS-150e/iPLAYER 2

DATE:  
 DWG. BY: TC  
 SCALE: NTS  
 REV:  
 PAGE: 1 OF 1