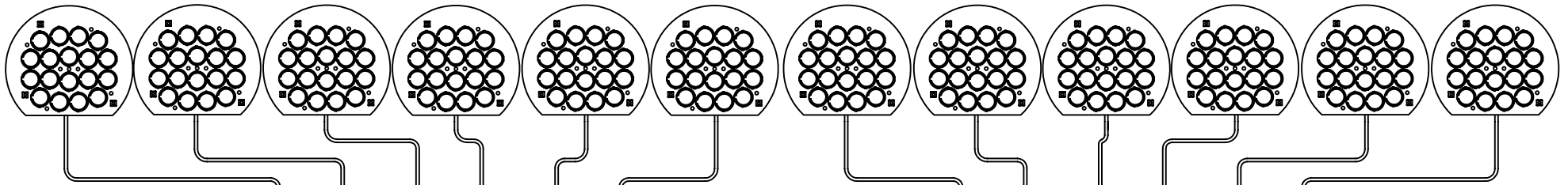
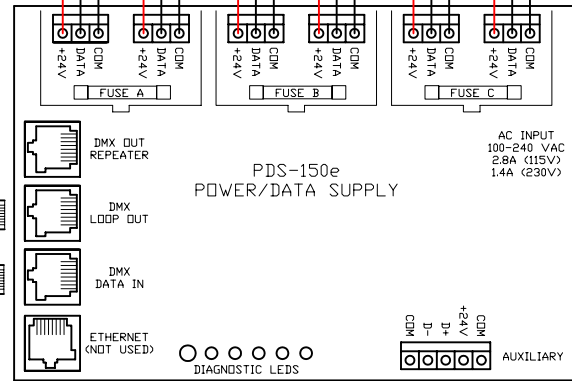
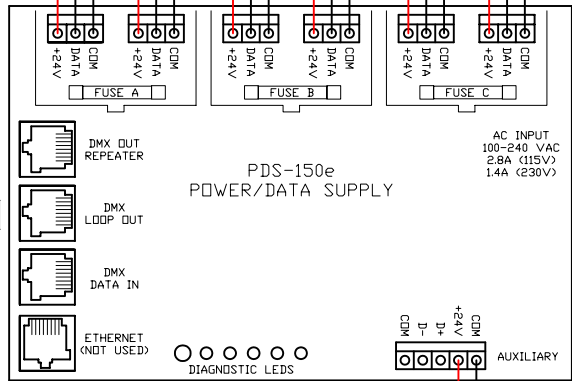


DLE C-101  
(MAX. 6 PER PDS-150e)



**NOTES:**  
 - USE 3 CONDUCTOR, 14-18AWG LEAD CABLES OUT TO EACH DLE (PROVIDED BY OTHERS).  
 - MAX. DISTANCE FROM PDS-150e TO DLE = 60' (INCL. FIX. LEADS)

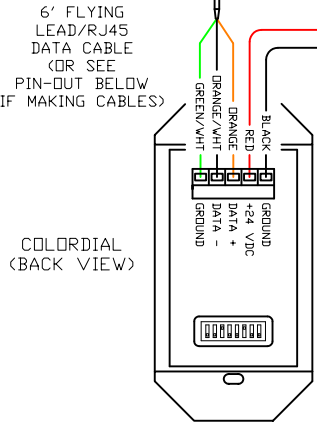


CAT 5/RJ45 DATA CABLE  
(UTP 24 AWG 4 PAIR)

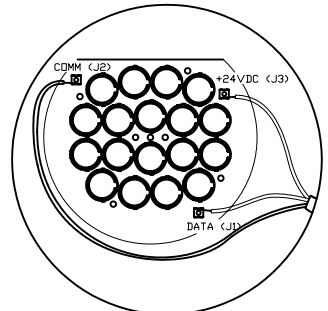
CAT 5/RJ45 DATA CABLE  
(UTP 24 AWG 4 PAIR)

14-18 AWG LEADS (2)  
(SUPPLIED BY EC - 50' MAX)

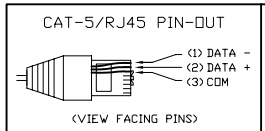
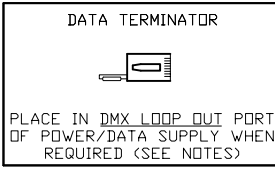
CONTINUE DMX OUT/IN SEQUENCE TO INCLUDE ALL PWR/DATA SUPPLIES, THEN TERMINATE THE LAST UNIT (SEE BELOW)



**DETAIL FOR THE WIRING OF THE DLE C-101**



**NOTE:**  
 - USE DMX OUT REPEATER (INSTEAD OF LOOP OUT) ON EVERY 32<sup>nd</sup> PDS UNIT IN A CHAIN, OR WHEN A DATA CABLE RUN BETWEEN UNITS EXCEEDS 400'. WHEN USING THE DMX OUT REPEATER, PLACE A DATA TERMINATOR IN THE DMX LOOP OUT PORT OF THAT PDS UNIT (SEE ABOVE).



COLOR KINETICS INCORPORATED  
10 MILK STREET, SUITE 1100  
BOSTON, MA 02108  
888 FULL RGB  
617 423 9999  
WWW.COLORKINETICS.COM

\*FULL SPECTRUM DIGITAL LIGHTING\*

TITLE: SYSTEM WIRING DIAGRAM (TYP)	DATE:
PRODUCTS: DLE C-101/PDS-150e/COLORDIAL	DWG. BY: TC
	SCALE: NTS
	REV:
	PAGE: 1 OF 1